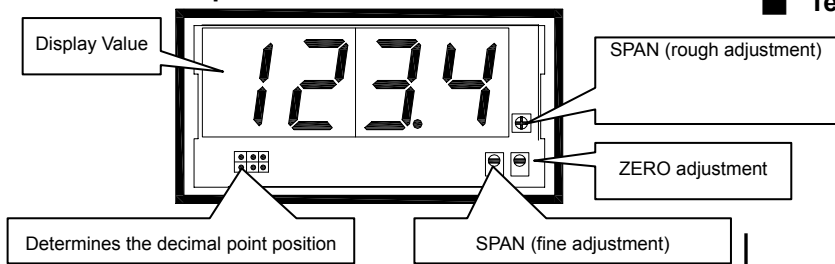
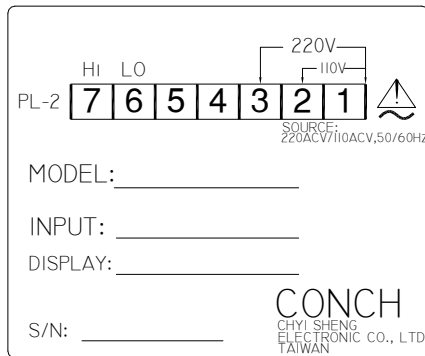


Panel Explain



Terminal Connection



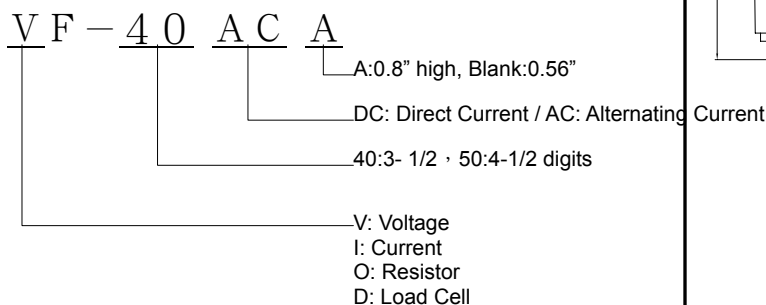
Function

1. Use to measure AC/DC voltage, current or other analog sensors, like Potentiometer, Pressure Sensor and Load Cell etc.
2. Can plan input/display value, zero offset and decimal point
3. Using 0.8" LED red display, which is easy to read.

Standard Specification

Model	VF-40A	VF-50A
Power Supply	AC 110V /220V · 60/50Hz ±10%	
Power Consumption	6VA MAX..	
Display Range	-1999~ 1999	-9999~9999
Input Impedance	Based on input signal	
Over Load Indicate	"-1 " or "1 " ° "0000" flash	
Operating Temperature	-10 to 55°C with no icing	
Storing Temperature	-25 to 65°C with no icing	
Operating Relative Humidity	35% to 85% RH	

Model Code



Plan or Adjustment

Please note the following restrict:

- A: Can't change the signal type, such as change AC to DC or change voltage input to current input.
- B: Can't change the input signal range, such as change 0~10V to 0~100V

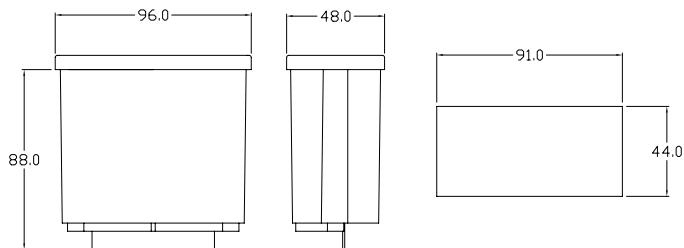
EX. Input Signal 0~10V, Display: 0~180.0

1. Programing the input/display value:
 - a. Make sure that the signal 10V has been added on the input terminal, and adjust "SPAN (rough adjustment) VR around 1800, then adjust "SPAN (fine adjustment) VR to reach 1800.
 - b. Let the Input terminal open, adjust "ZERO" VR until the display value is zero.
 - c. Repeating the step 'a' and 'b' would be fine for raising the accuracy reading.
2. Decimal Point Setting
Set jumper at the right fist position of "DEC.point °

Input Terminal Explain

HI LO are the signal input terminals, HI is positive pole and LO is minus pole when input DC signal. There is no polar limit for AC signal.

Dimension unit:mm



Installing Indication

