



TOWIN



Ningbo Towin Industry Co.,Ltd.

TOWIN

Ningbo Towin Industry Co.,Ltd.

Mail : sales@nb-hvac.com

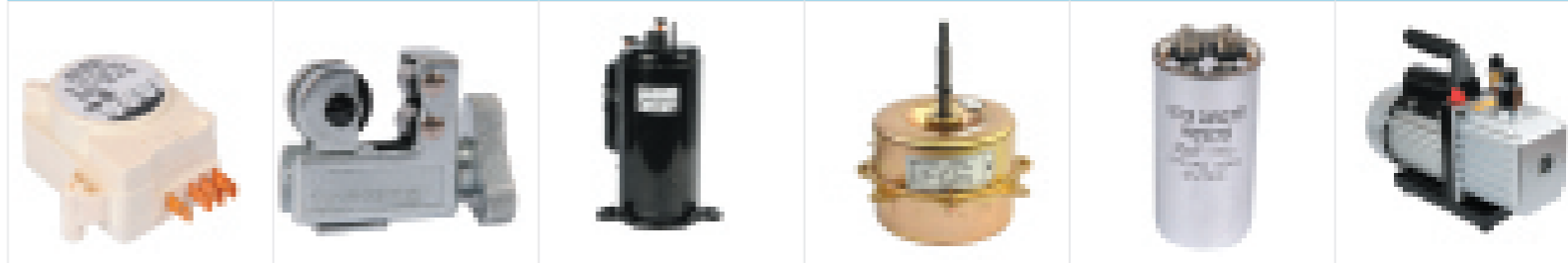
Phone : 86 - 574 - 82815048

Fax : 86 - 574 - 87124299

Office : Room 2315, South Building, Commercial Conference Chamber, 1299#Yinxian Avenue,
Ningbo, Zhejiang 315100 China

Factory : Zhuangqiao Area, Jiangbei Area, Ningbo, Zhejiang 315100 China.

Website : <http://www.nb-hvac.com> <http://www.nb-hvac.net>



www.nb-hvac.com www.nb-hvac.net

CONTENTS

Refrigerator Compressor	01	Suction Oil Filter Core	27
Air Conditioner Compressor	02	Oil Separator/Oil Separator with Flange	27
Definite Purpose Contactor	03	Gas-Liquid Separator	28
Run Capacitor	04	Heat Exchanging Gas-liquid Separator	28
Capacitor	06	Liquid Receiver	29
Transformer	07	Refrigerant Receiver	30
Relay & Hard start kit	08	Heating Exchangers of Liquid Receiver & Liquid	
Solid State Relay	08	Accumulator	30
Relay & Hard start kits	09	4- Way Reversing Valve	31
A/C Remote Control	10	Ball Valve	31
Universal A/C Control System.....	11	Solenoid Valve	32
Pressure Switch	13	Vibration Eliminator	32
Single Pressure Control	13	Expansion Valve	33
Dual Pressure Control	14	Weldi	34
Pressure Differential Control	14	Flaring Tools	35
Room Thermostat	14	Digital Clamp Meter	36
Thermostat	15	Halogen Leak Detector	37
Other Thermostat Type	15	Torch	39
Defrost Thermostat	15	Tube Cutter	39
Defrost Heater	16	Tube Bender	40
Defroster Timer	17	Shade-Pole Fan Motor	40
Vacuum Pump	18	Latch/Hinge	41
Recovery Unit	19	Refrigerant	42
Manifold	20	Evaporator Fan Motor	43
Charging Hose	20	Motor Information	48
Quick Coupler	20	Timer Delay	49
Hose Gasket	20	Tape	49
Refrigeration Gauge	21	Aluminum Foil	49
Liquid Filled Gauge	21	Insulation Material	49
Single Gauge Valve	21	Copper Fittings	50
Automotive Adapter Kit	21	Brackets for air conditioner	51
Sight Glass	22	Brackets for air conditioner	52
Hand Valve	22	Fan Blade For Air Conditioner	53
Access Valve	22	Propeller Fan Leaves for Air Conditioner	53
Capillary Tube with Nuts	22	Air Curtain	54
Stop Valve	22	Air Conditioner	59
Can Tap Valve	23	Condensing Unit	60
Strainer	23	Cassette Unit	61
Copper Spun Filter Drier	23	Wall Display Cabinet	62
Liquid Line Filter Drier	24	Island Freezer Plug-in(R404)	62
Suction Line Filter Drier	24	Drain Pump Of Washing Machine	63
Bi-Directional Heat Pump Filter Drier	25	Washing machine Timer	63
Liquid Line Filter Drier with Sight Glass	25	Washing machineDryer Motor	65
Replaceable Core Filter Drier	26	Washing machine Reducer	66
Liquid Line Filter Core	26	Washing machine Belt	67
Suction Line Filter Core	27	Washing machineRubber Bowl	68

Refrigerator Compressor



REFRIGERATOR COMPRESSOR 1/2-1/8HP

BRAND	REFRIGERANT	POWER SUPPLY	CAPACITY (Watt/h)	CERTIFICATE
HUAGUANG	R134a	1φ-50Hz-220/240V	70W - 220W (1/8 - 1/3 HP)	CCC/TUV
HUAGUANG	R134a	1φ-60HZ-115V	100W - 220W (1/8 - 1/3 HP)	UL/CSA
HUAGUANG	R600a	1φ-50Hz-220/240V	70W - 220W (1/8 - 1/3 HP)	CCC/TUV
HUAGUANG	R600a	1φ-60HZ-115V	100W - 220W (1/8 - 1/3 HP)	UL/CSA
HUAGUANG	R12	1φ-50Hz-220/240V	70W - 220W (1/8 - 1/3 HP)	CCC/TUV
HUAGUANG	R12	1φ-60HZ-115V	70W - 220W (1/8 - 1/3 HP)	UL/CSA

BRAND	REFRIGERANT	POWER SUPPLY	CAPACITY (Watt/h)	CERTIFICATE
ZANUSSI	R134a	1φ-50Hz-220/240V	70W - 220W (1/8 - 1/3 HP)	CCC/TUV
ZANUSSI	R134a	1φ-60HZ-115V	100W - 220W (1/8 - 1/3 HP)	UL/CSA
ZANUSSI	R600a	1φ-50Hz-220/240V	70W - 220W (1/8 - 1/3 HP)	CCC/TUV
ZANUSSI	R600a	1φ-60HZ-115V	100W - 220W (1/8 - 1/3 HP)	UL/CSA
ZANUSSI	R12	1φ-50Hz-220/240V	70W - 220W (1/8 - 1/3 HP)	CCC/TUV
ZANUSSI	R12	1φ-60HZ-115V	70W - 220W (1/8 - 1/3 HP)	UL/CSA

BRAND	REFRIGERANT	POWER SUPPLY	CAPACITY (Watt/h)	CERTIFICATE
HITACHI	R134a	1φ-50Hz-220/240V	70W - 220W (1/8 - 1/3 HP)	CCC/TUV
HITACHI	R134a	1φ-60HZ-115V	100W - 220W (1/8 - 1/3 HP)	CCC/TUV
HITACHI	R600a	1φ-50Hz-220/240V	70W - 220W (1/8 - 1/3 HP)	UL/CSA
HITACHI	R600a	1φ-60HZ-115V	100W - 220W (1/8 - 1/3 HP)	UL/CSA

BRAND	REFRIGERANT	POWER SUPPLY	CAPACITY (Watt/h)	CERTIFICATE
LG	R134a	1φ-50Hz-220/240V	70W - 220W (1/8 - 1/3 HP)	CCC/TUV
LG	R134a	1φ-60HZ-115V	100W - 220W (1/8 - 1/3 HP)	UL/CSA
LG	R600a	1φ-50Hz-220/240V	70W - 220W (1/8 - 1/3 HP)	CCC/TUV
LG	R600a	1φ-60HZ-115V	100W - 220W (1/8 - 1/3 HP)	UL/CSA

Remark: If you want to know the detailed model specification, please contact us freely.

Air Conditioner Compressor



ROTARY COMPRESSOR 50000 - 30000BTU (FOR HOME USED AIR CONDITIONER)

BRAND	REFRIGERANT	POWER SUPPLY	CAPACITY (BTU/h)	CERTIFICATE
TOSHIBA (GMCC)	R22	1φ-50Hz-220/240V	7000BTU - 30000BTU	CCC/TUV
TOSHIBA (GMCC)	R410A	1φ-50Hz-220/240V	7000BTU - 30000BTU	CCC/TUV
TOSHIBA (GMCC)	R22	1φ-60Hz-208/230V	7000BTU - 30000BTU	UL/CSA
TOSHIBA (GMCC)	R410A	1φ-60Hz-208/230V	9000BTU - 24000BTU	UL/CSA
TOSHIBA (GMCC)	R22	1φ-60Hz-115V	8000BTU - 14000BTU	UL/CSA

BRAND	REFRIGERANT	POWER SUPPLY	CAPACITY (BTU/h)	CERTIFICATE
HITACHI (HIGHLY)	R22	1φ-50Hz-220/240V	7000BTU - 30000BTU	CCC/TUV
HITACHI (HIGHLY)	R410A	1φ-50Hz-220/240V	7000BTU - 30000BTU	CCC/TUV
HITACHI (HIGHLY)	R22	1φ-60Hz-208/230V	7000BTU - 30000BTU	UL/CSA
HITACHI (HIGHLY)	R410A	1φ-60Hz-208/230V	7000BTU - 26000BTU	UL/CSA
HITACHI (HIGHLY)	R22	1φ-60Hz-115V	7000BTU - 14000BTU	UL/CSA

BRAND	REFRIGERANT	POWER SUPPLY	CAPACITY (BTU/h)	CERTIFICATE
LG	R22	1φ-50Hz-220/240V	7000BTU - 24000BTU	CCC/TUV
LG	R410A	1φ-50Hz-220/240V	7000BTU - 24000BTU	CCC/TUV
LG	R22	1φ-60Hz-208/230V	7000BTU - 24000BTU	UL/CSA
LG	R410A	1φ-60Hz-208/230V	9000BTU - 24000BTU	UL/CSA

Remark: If you want to know the detailed model specification, please contact us freely.

Definite Purpose Contactor

1 Pole



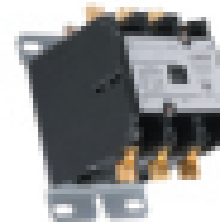
PART NO.	NO. OF POLES	FULL LOAD AMPS	RESISTIVE AMPS	LOCKD ROTOR AMPS@240	COIL VOLTAGE
HKA130	1	30	40	180	24
HKB130	1	30	40	150	120
HKC130	1	30	40	120	208/240

2 Pole



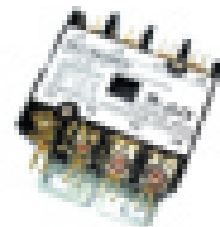
HKA225	2	25	35	150	24
HKB225	2	25	35	125	120
HKC225	2	25	35	100	208/240
HKA230	2	30	40	180	24
HKB230	2	30	40	150	120
HKC230	2	30	40	120	208/240
HKA240	2	40	50	240	24
HKB240	2	40	50	200	120
HKC240	2	40	50	160	208/240

3 Pole



HKA325	3	25	35	150	24
HKB325	3	25	35	125	120
HKC325	3	25	35	100	208/240
HKA330	3	30	40	180	24
HKB330	3	30	40	150	120
HKC330	3	30	40	120	208/240
HKA340	3	40	50	240	24
HKB340	3	40	50	200	120
HKC340	3	40	50	160	208/240
HKA350	3	50	60	300	24
HKB350	3	50	60	250	120
HKC350	3	50	60	200	208/240
HKA360	3	60	75	360	24
HKB360	3	60	75	300	120
HKC360	3	60	75	240	208/240
HKA375	3	75	93	450	24
HKB375	3	75	93	375	120
HKC375	3	75	93	300	208/240
HKA390	3	90	120	540	24
HKB390	3	90	120	450	120
HKC390	3	90	120	360	208/240

4 Pole



HKA425	4	25	35	150	24
HKB425	4	25	35	125	120
HKC425	4	25	35	100	208/240
HKA430	4	30	40	180	24
HKB430	4	30	40	150	120
HKC430	4	30	40	120	208/240
HKA440	4	40	50	240	24
HKB440	4	40	50	200	120
HKC440	4	40	50	160	208/240

Run Capacitor

370Vac - Round/440Vac - Round



PART NO.	MICROFARAD	VOLTAGE	PART NO.	MICROFARAD	VOLTAGE
HKD5-R7	5	370	LD5-R4	5	440
HKD7.5-R7	7.5	370	LD7.5-R4	7.5	440
HKD10-R7	10	370	LD10-R4	10	40
VD12.5-R7	12.5	370	LD12.5-R4	12.5	440
HKD15-R7	15	370	LD15-R4	15	440
HKD17.5-R7	17.5	370	LD17.5-R4	17.5	440
HKD20-R7	20	370	LD20-R4	20	440
HKD25-R7	25	370	LD25-R4	25	440
HKD30-R7	30	370	LD30-R4	30	440
HKD35-R7	35	370	LD35-R4	35	40
HKD40-R7	40	370	LD40-R4	40	440
HKD45-R7	45	370	LD45-R4	45	440
HKD50-R7	50	370	LD50-R4	50	440
HKD55-R7	55	370	LD55-R4	55	440
HKD60-R7	60	370	LD60-R4	60	440
HKD70-R7	70	370	LD70-R4	70	440
HKD80-R7	80	370	LD80-R4	80	440

370Vac - Round, Dual section/440Vac - Round, Dual



PART NO.	MICROFARAD	VOLTAGE	PART NO.	MICROFARAD	VOLTAGE
HKD15/5-R7	15+5	370	LD15/5-R4	15+5	440
HKD15/10-R7	15+10	370	LD15/10-R4	15+10	440
HKD20/5-R7	20+5	370	LD20/5-R4	20+5	440
HKD20/10-R7	20+10	370	LD20/10-R4	20+10	440
HKD25/5-R7	25+5	370	LD25/5-R4	25+5	440
HKD25/10-R7	25+10	370	LD25/10-R4	25+10	440
HKD30/5-R7	30+5	370	LD30/5-R4	30+5	440
HKD30/10-R7	30+10	370	LD30/10-R4	30+10	440
HKD35/5-R7	35+5	370	LD35/5-R4	35+5	440
HKD35/10-R7	35+10	370	LD35/10-R4	35+10	440
HKD40/5-R7	40+5	370	LD40/5-R4	40+5	440
HKD40/10-R7	40+10	370	LD40/10-R4	40+10	440
HKD45/5-R7	45+5	370	LD45/5-R4	45+5	440
HKD50/5-R7	50+5	370	LD50/5-R4	50+5	440
HKD55/5-R7	55+5	370	LD55/5-R4	55+5	440
HKD60/5-R7	60+5	370	LD60/5-R4	60+5	440
HKD60/10-R7	60+10	370	LD60/10-R4	60+10	440
HKD70/5-R7	70+5	370	LD70/5-R4	70+5	440
HKD80/5-R7	80+5	370	LD80/5-R4	80+5	440

Run Capacitor

370Vac - Oval/440Vac - Oval



PART NO.	MICROFARAD	VOLTAGE	PART NO.	MICROFARAD	VOLTAGE
HKD5-O7	5	370	LD5-O4	5	440
HKD7.5-O7	7.5	370	LD7.5-O4	7.5	440
HKD10-O7	10	370	LD10-O4	10	440
HKD12.5-O7	12.5	370	LD12.5-O4	12.5	440
HKD15-O7	15	370	LD15-O4	15	440
HKD17.5-O7	17.5	370	LD17.5-O4	17.5	440
HKD20-O7	20	370	LD20-O4	20	440
HKD25-O7	25	370	LD25-O4	25	440
HKD30-O7	30	370	LD30-O4	30	440
HKD35-O7	35	370	LD35-O4	35	440
HKD40-O7	40	370	LD40-O4	40	440
HKD45-O7	45	370	LD45-O4	45	440
HKD50-O7	50	370	LD50-O4	50	440
HKD55-O7	55	370	LD55-O4	55	440
HKD60-O7	60	370	LD60-O4	60	440
HKD70-O7	70	370	LD70-O4	70	440
HKD80-O7	80	370	LD80-O4	80	40

370Vac - Oval, Dual section/440Vac - Oval, Dual section



PART NO.	MICROFARAD	VOLTAGE	PART NO.	MICROFARAD	VOLTAGE
HKD15/5-O7	15+5	370	LD15/5-O4	15+5	440
HKD15/10-O7	15+10	370	LD15/10-O4	15+10	440
HKD20/5-O7	20+5	370	LD20/5-O4	20+5	440
HKD20/10-O7	20+10	370	LD20/10-O4	20+10	440
HKD25/5-O7	25+5	370	LD25/5-O4	25+5	440
HKD25/10-O7	25+10	370	LD25/10-O4	25+10	440
HKD30/5-O7	30+5	370	LD30/5-O4	30+5	440
HKD30/10-O7	30+10	370	LD30/10-O4	30+10	440
HKD35/5-O7	35+5	370	LD35/5-O4	35+5	440
HKD35/10-O7	35+10	370	LD35/10-O4	35+10	440
HKD40/5-O7	40+5	370	LD40/5-O4	40+5	440
HKD40/10-O7	40+10	370	LD40/10-O4	40+10	440
HKD45/5-O7	45+5	370	LD45/5-O4	45+5	440
HKD50/5-O7	50+5	370	LD50/5-O4	50+5	440
HKD55/5-O7	55+5	370	LD55/5-O4	55+5	440
HKD60/5-O7	60+5	370	LD60/5-O4	60+5	440
LD60/10-O7	60+10	370	LD60/10-O4	60+10	440
LD70/5-O7	70+5	370	LD70/5-O4	70+5	440
LD80/5-O7	80+5	370	LD80/5-O4	80+5	440

Capacitor

Run Capacitor



PART NO.	MICROFARAD	VOLTAGE
CBB6101	1	450
CBB6102	1.5	450
CBB6103	2	450
CBB6104	2.5	450
CBB6105	3	450
CBB6106	4	450
CBB6107	4.5	450
CBB6108	5	450
CBB6109	6	450
CBB6110	7	450
CBB6111	8	450

- 250VAC is available upon request

Run Capacitor



PART NO.	MICROFARAD	VOLTAGE
CBB604	4	450
CBB605	5	450
CBB606	6	450
CBB608	8	450
CBB610	10	450
CBB612	12	450
CBB614	14	450
CBB616	16	450
CBB618	18	450
CBB620	20	450
CBB625	25	450
CBB630	30	450

- 250VAC is available upon request

Start Capacitor



PART NO.	MICROFARAD	VOLTAGE
Sc70	70	275/320
HKSC80	80	275/320
HKSC120	120	275/320
HKSC200	200	275/320


Start Capacitor




PART NO.	MICROFARAD	VOLTAGE
72-86-A	72-86	110/125
88-106-A	88-106	110/125
108-130-A	108-130	110/125
124-149-A	124-149	110/125
130-156-A	130-156	110/125
145-175-A	145-175	110/125
161-193-A	161-193	110/125
189-227-A	189-227	110/125
216-259-A	216-259	110/125
233-280-A	233-280	110/125
243-292-A	243-292	110/125
270-324-A	270-324	110/125
324-389-A	324-389	110/125
340-408-A	340-408	110/125
378-454-A	378-454	110/125
400-480-A	400-480	110/125
430-516-A	430-516	110/125
460-552-A	460-552	110/125
540-648-A	540-648	110/125
590-708-A	590-708	110/125
645-774-A	645-774	110/125
708-850-A	708-850	110/125
720-864-A	720-864	110/125
829-995-A	829-995	110/125
850-1020-A	850-1020	110/125
1000-12000-A	1000-12000	110/125
72-86-B	72-86	220/250
88-106-B	88-106	220/250
108-130-B	108-130	220/250
124-149-B	124-149	220/250
130-156-B	130-156	220/250
145-175-B	145-175	220/250
161-193-B	161-193	220/250
189-227-B	189-227	220/250
216-259-B	216-259	220/250
233-280-B	233-280	220/250
243-292-B	243-292	220/250
270-324-B	270-324	220/250
324-389-B	324-389	220/250
340-408-B	340-408	220/250
378-454-B	378-454	220/250
400-480-B	400-480	220/250
88-106-C	88-106	330
108-130-C	108-130	330
124-149-C	124-149	330
130-156-C	130-156	330
145-175-C	145-175	330
161-193-C	161-193	330
189-227-C	189-227	330
216-259-C	216-259	330
233-280-C	233-280	330
243-292-C	243-292	330
270-324-C	270-324	330


Transformer

- Open Frame, 50/60Hz
- Dielectric Strength --- 3500VRMS Hipot
- UL class II
- Class B (130°) Insulation System


	PART NO.	VA	VOLTAGE PRIMARY	VOLTAGE SECONDARY
	2011-OF	20	120	24
	4021-OF	40	208/240	24
	4031-OF	40	120/208/240	24
	5031-OF	50	120/208/240	24
	6021-OF	60	208/240	24
	6031-OF	60	120/208/240	24
	7511-OF	75	480	24
	7541-OF	75	120/208/240/480	24
	10041-OF	100	120/208/240/480	24


	PART NO.	VA	VOLTAGE PRIMARY	VOLTAGE SECONDARY
	5031-OFC-X	50	120/208/240	24
	6021-OFC-X	60	240/480	24
	6031-OFC-X	60	120/208/240	24
	6041-OFC-X	60	120/208/240/480	24
	7541-OFC-X	75	120/208/240/480	24
	10021-OFC-X	96	240/480	24
	10041-OFC-X	96	120/208/240/480	24

- Heavy Duty With Circuit Breaker

	PART NO.	VA	VOLTAGE PRIMARY	VOLTAGE SECONDARY
	5031-OFC-Y	50	120/208/240	24
	6021-OFC-Y	60	240/480	24
	6031-OFC-Y	60	120/208/240	24
	6041-OFC-Y	60	120/208/240/480	24
	7541-OFC-Y	75	120/208/240/480	24
	10021-OFC-Y	100	240/480	24
	10041-OFC-Y	100	120/208/240/480	24

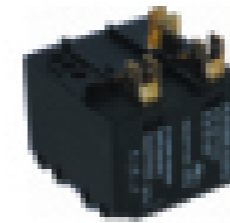
- Heavy Duty With Circuit Breaker

	PART NO.	VA	VOLTAGE PRIMARY	VOLTAGE SECONDARY
	2011MT	20	120	24
	4021MT	40	208/240	24
	4031MT	40	120/208/240	24
	5031MT	50	120/208/240	24
	6021MT	60	208/240	24
	6031MT	60	120/208/240	24
	7531MT	75	120/208/240	24

	PART NO.	VA	VOLTAGE PRIMARY	VOLTAGE SECONDARY
	5011MWCY	50	240	24
	5021MWCY	50	208/240	24
	5031MWCY	50	120/208/240	24
	5041MWCY	50	120/208/240/480	24
	5051MWCY	50	120/208/240/277/480	24

Relay & Hard start kit

Potential Relay



PART NO.	CONTINUOUS COIL VOLTAGE	PICK-UP		DROP-OUT MAX.
		MIN.	MAX.	
HKPR63	170	139	153	55
HKPR64	395	260	275	120
HKPR65	332	168	182	90
HKPR66	395	215	225	120
HKPR67	420	295	315	125
HKPR68	502	325	345	135
HKPR69	336	180	195	105

Fan Relay



PART NO.	COIL VOLT.	TYPE	PART NO.	COIL VOLT.	TYPE
HKD90-360	24	SPST	HKD90-384	208/240	SPNO-NC
HKD90-362	110/120	SPST	HKD90-290	24	SPST
HKD90-364	208/240	SPST	HKD90-291	110/120	SPST
HKD90-370	24	SPST	HKD90-292	208/240	SPST
HKD90-372	110/120	SPST	HKD90-293	24	SPDT
HKD90-374	208/240	SPST	HKD90-294	110/120	SPDT
HKD90-380	24	SPNO-NC	HKD90-295	208/240	SPDT
HKD90-382	110/120	SPNO-NC			

Super Starter



PART NO.	DESCRIPTION
HKDS5	Increases Starting Torque Up to 300%
HKDS6	Increases Starting Torque Up to 500%

3 N' 1 Start Relay



PART NO.	DESCRIPTION
HKDC810	1/12 thru 1/5
HKDC410	1/4 thru 1/3

Solid State Relay



HKCR-1

HKCR-2

HKCR-3

HKCR-4

HKCR-5

HKCR-6

HKCR-7

Relay & Hard start kits

Switching Relay



PART NO.	COIL VOLTAGE
HKD90340	24
HKD90341	110/240
HKD90342	208/240

3/4" Motor Protector/Overload



PART NO.	H. P.	VOLTAGE
HKOP1/8	1/8	115/230
HKOP1/6	1/6	115/230
HKOP1/5	1/5	115/230
HKOP1/4	1/4	115/230
HKOP1/3	1/3	115/230
HKOP1/2	1/2	115/230
HKOP3/4	3/4	115/230

1" Motor Protectors/Overload



PART NO.	CAPACITY (BTU/H)	VOLTAGE (V)
HKOP120	12000	115/230
HKOP150	15000	115/230
HKOP180	18000	115/230
HKOP190	19000	115/230
HKOP240	24000	115/230

PP1100 RELAY



PART NO.	VOLTAGE
HK103N0002	115/230
HK103N0011	115/230
HK103N0016	115/230
HK103N0021	115/230

Kit Relay



PART NO.	VOLTAGE
ES3	230
ES3.5-4	230
ES5	230

Push-on Type Relay



PART NO.	H. P.	VOLTAGE
HKRP1/8	1/8	115/230
HKRP1/6	1/6	115/230
HKRP1/5	1/5	115/230
HKRP1/4	1/4	115/230
HKRP1/3	1/3	115/230
HKRP1/2	1/2	115/230
HKRP3/4	3/4	115/230

Overload Protector



PART NO.	H. P.	VOLTAGE
HKNH1/8	1/8	115/230
HKNH1/6	1/6	115/230
HKNH1/5	1/5	115/230
HKNH1/4	1/4	115/230
HKNH1/3	1/3	115/230
HKNH1/2	1/2	115/230

Relay Protector L Type



PART NO.	H. P.	VOLTAGE
HKRL1/8	1/8	115/230
HKRL1/6	1/6	115/230
HKRL1/5	1/5	115/230
HKRL1/4	1/4	115/230
HKRL1/3	1/3	115/230
HKRL1/2	1/2	115/230

Relay Protector S Type



PART NO.	H. P.	VOLTAGE
HKRS1/8	1/8	115/230
HKRS1/6	1/6	115/230
HKRS1/5	1/5	115/230
HKRS1/4	1/4	115/230
HKRS1/3	1/3	115/230
HKRS1/2	1/2	115/230

A/C Remote Control

KT-208II

- Features:
- 208 Codes in 1
- Large LCD display
- Full function and reliable performance
- Two operations:
- Model selection by code input
- Model selection by auto search



KT-508II

- Features:
- 508 Codes in 1
- Clock display
- Timer on/off function
- Code memory function
- Two operations:
- Model selection by code input
- Model selection by auto search



KT-518

- Features:
- 508 Codes in 1
- Clock display
- Timer on/off function
- Code memory function
- Two operations:
- Model selection by code input
- Model selection by auto search



KT-528

- Features:
- 1028 Codes in 1
- LCD background light
- Room temperature
- display Clock display
- Timer on/off function
- Code memory function



KT-1000

- Features:
- Dual core 1028 codes in 1
- Room temperature display
- Timer on/off function
- Code memory function



KT-N808

- Features:
- 1028 Codes in 1
- Large LCD display
- Clock display
- Timer on/off function, Sleep function
- Room temperature display
- Code memory function
- New conception of "Intelligent cool" and "Intelligent heat"



KT-N818

- Features:
- 1028 Codes in 1
- Large LCD display
- Room temperature display
- Clock display
- Timer on/off function, Sleep function
- Code memory function
- Fast cool and fast heat function
- New conception of "Intelligent cool" and "Intelligent heat"



KT-N828

- Features:
- 2000 Codes in 1
- LCD background light
- Timer on/off function
- Room temperature display
- Manual input the code by digital key
- New conception of "Intelligent cool" and "Intelligent heat"



SUPER-1

- Features:
- 2000 Codes in 1
- LCD background light
- Clock device, Thermomter device
- Room temperature display Timer
- on/off at the same time Manual
- input the code by digital key New
- conception of "Intelligent cool" and "Intelligent heat"



KT-9018E

- Features:
- 4000 Codes in 1
- Clock display
- Timer on/off function
- Manual input the code by digital key
- New conception of "Intelligent cool" and "Intelligent heat"



KT-E02

Features:

- 4000 Codes in 1
- Real auto search
- Nice looking
- Memory function
- One key Nonstop --- it can open the A/C, and also judge the room is in winter or summer, then set the temp. at 20°C or 26°C, fan middle and swing auto



KT-E03

Features:

- 4000 Codes in 1
- Input codes directly by digital keys
- Excellent function (Timer on and off, Sleep, C & F etc.)
- Memory function
- One key Nonstop --- it can open the A/C, and also judge the room is in winter or summer, then set the temp. at 20°C or 26°C, fan middle and swing auto



QD-U08PG

Features:

- 5 Working modes
- Unlimited fan speed, low noise
- Accurate & Stable temp. control
- Accurate & Stable auto fan
- Timer on/off
- Sleep function
- Double sensors
- Prevent cold wind in Heating mode
- Defrost automatically
- Pipe protection for higher Temp.
- Examine fault by itself
- Updated receiver, Good looking appearance, Show intuitional



QD-U08A

Features:

- 5 Working modes
- 3 Fan speeds
- Accurate & Stable temp. control
- Accurate & Stable auto fan
- Timer on/off
- Prevent cold wind in Heating mode
- Sleep function
- Double sensors
- Defrost automatically
- Colorful sensor socket, easy for connecting
- Updated receiver, Good looking appearance, Show intuitional
- Updated transformer, Quick plug, easy for installation



Universal A/C Control System

QD-U03C+

Features:

- 5 Working modes
- 3 Fan speeds
- Accurate & Stable temp. control
- Accurate & Stable auto fan
- Auto-restart function
- Double sensors
- Timer on/off
- Sleep function
- Defrost automatically
- Outdoor fan is controlled independently
- Compressor project timer for its run and stop
- Prevent cold wind In Heating mode
- Updated receiver, Good looking appearance, Show intuitional
- Updated transformer, Quick plug, easy for installation



QD-U03A+

Features:

- 5 Working modes
- 3 Fan speeds
- Accurate & Stable temp. control
- Accurate & Stable auto fan
- Double sensors
- Timer on/off
- Sleep function
- Defrost automatically
- Compressor project timer for its run and stop
- Prevent cold wind in Heating mode
- Updated receiver, Good looking appearance, Show intuitional
- Updated transformer, Quick plug, easy for installation



QD-U06A

Features:

- 5 Working modes
- 2 Fan speeds
- Accurate temp. control
- Accurate auto fan
- Sleep function
- Periodical defrost
- Prevent cold wind in Heating mode
- Outdoor fan is controlled independently
- LED Display for run, timer heating
- Easy plug socket design for transformer, do not need any tools
- Timer on/off



QD-U12A

Features:

- LCD background light display panel
- Auxiliary heating function
- Anions fresh air function
- Power protection
- Other features same as QD-U10A



QD-U10A

Features:

- High quality, Full function. It is suitable for both split and cabinet conditioner. In control and display panel, you can see all state and control all function. And the manipulation is so simple as that the child and old man can control the conditioner without any difficulty.
- LED Digital display panel
- Convenient and simple
- Full function



QD-U30A

Features:

- Universal ceiling cassette A/C control system
- 5 Working modes
- 3 Fan speeds
- Accurate & Stable temp. control
- Accurate & Stable auto fan
- Outdoor fan is controlled independently
- Timer inline/offline
- Sleep function
- Unique crescent display receiver
- Double sensors, Colorful sockets, easily connection
- Periodical defrost
- Prevent cold breeze in Heating mode
- Pipe protection for too higher/too lower temp.
- Examine fault by itself
- LED Display: Power, Timing, Power on/off
- Time-delayed compressor protection for 3 mins
- Emergency on



QD-U02B+

Features:

- 5 Working modes
- 3 Fan speeds
- Accurate & Stable temp. control
- Accurate & Stable auto fan
- Timer on/off
- Sleep function
- Periodical defrost
- Compressor project timer for its run and stop
- Prevent cold wind in Heating mode
- Updated receiver, Good looking appearance, Show intuitional
- Updated transformer, Quick plug, easy for installation



QD-U05PG+

Features:

- PG motor
- 5 Working mode
- Unlimited fan speed, Low noise
- Accurate & Stable temp. control
- Accurate & Stable auto fan
- Timer on/off, Double sensor
- Prevent cold wind in Heating mode
- Auto defrost function
- Pipe protection for higher temp.
- Examine fault by itself
- Sleep function
- Updated receiver, Good looking appearance, Show intuitional
- Updated transformer, Quick plug, easy for installation

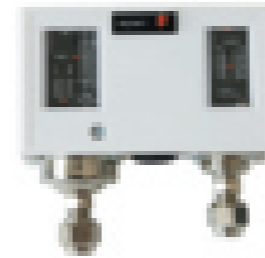


Pressure Switch



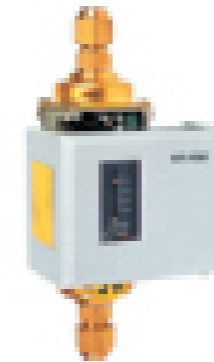
PART NO.	APPLICATION	SETTINGS P.S.I.		PROOF PRESSURE	BURST PRESSURE
		OPEN	CLOSE		
HKPL0520	Low Pressure Auto Reset	5	20	250	5000
HKPL1020		10	20	250	5000
HKPL2550		25	50	250	5000
HKPL2580		25	80	250	5000
HKPL4080		40	80	250	5000
HKPH200150	High Pressure Auto Reset	200	150	650	5000
HKPH250150		250	150	650	5000
HKPH300200		300	200	650	5000
HKPH350250		350	250	650	5000
HKPH400200		400	200	650	5000
HKPH400300		400	300	650	5000
HKPH450250	High Pressure Manual Reset	450	250	650	5000
HKMR350		350	-	650	5000
HKMR450	450	-	650	5000	
HKFC125265	Fan Cycling Auto Reset	125	265	650	5000
HKFC150225		150	225	650	5000
HKFC170250		170	250	650	5000
HKFC210275		210	275	650	5000

Dual Pressure Control



PART NO.		RANGE (BAR)		DIFFERENTIAL (BAR)		RESET PRESSURE	FACTORY SETTING (BAR)	
		MIN.	MAX.	MIN.	MAX.		MIN.	MAX.
HKDP830	L. side	-0.5	6	0.6	4	Auto	3	2
HKDP830	H. side	8	30	Fixed 3~5		Auto	20	15
HKDP830HM	L. side	-0.5	6	0.6	4	Auto	3	2
HKDP830HM	H. side	8	30	≤5		Manual	20	Manual Reset
HKDP830HLM	L. side	-0.5	6	≤1		Manual	3	Manual Reset
HKDP830HLM	H. side	8	30	≤5		Manual	20	Manual Reset

Pressure Differential Control



PART NO.	DIFFERENTIAL (BAR)		FACTORY SETTING (BAR)	MAX. WORKING PRESSURE (BAR)
	MIN.	MAX.		
HKLD502	0.5	2	0.5	16.5
HKLD504	0.5	3.5	1	16.5
HKLD504H	0.5	3.5	1	33
HKLD106	1	6	1	16.5
HKLD106H	1	6	1	33

Single Pressure Control



PART NO.	RANGE (BAR)		DIFFERENTIAL (BAR)		FACTORY SETTING (BAR)		MAX. WORKING PRESSURE (BAR)
	MIN.	MAX.	MIN.	MAX.	MIN.	MAX.	
HKSP502	-0.5	2	0.2	0.7	1	0.5	16.5
HKSP503	-0.5	3	0.35	1.5	2	1	16.5
HKSP506	-0.5	6	0.6	4	3	2	16.5
HKSP506M	-0.5	6	≤ 1	≤ 1	3	Manual Reset	16.5
HKSP110	1	10	1	3	6	5	16.5
HKSP516	5	16	2	5	10	8	33
HKSP520	5	20	2	5	16	14	33
HKSP530D	5	30	3	10	20	15	33
HKSP530	8	30	Fixed 3~5		20	15~17	33
HKSP530M	8	30	≤5		20	Manual Reset	33

Room Thermostat

Dial Style



HKTH001

HKTH002

HKTH003

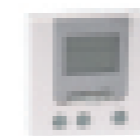
HKTH004

HKTH005

HKTH006

HKTH007

Digital Style



HKTH008

HKTH009

HKTH010

HKTH011

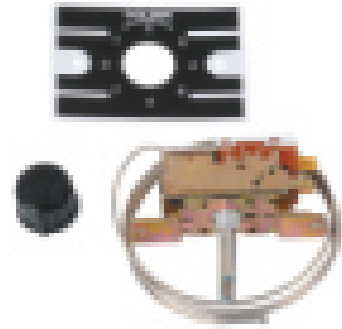
HKTH012

HKTH013

HKTH014

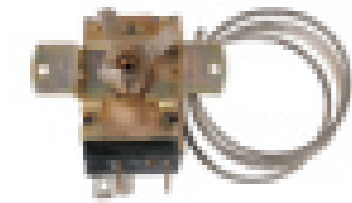
Thermostat

Ranco Type



PART NO.	COLD OFF °C	COLD ON °C	WARM ON °C	CAPILLARY (MM)	KIT TYPE
HK50-P1110 (VC1)	-23.0	-14.5	2.0	1200	B
HK50-P1117 (VF3)	-32.0	-	-12	2000	B
HK50-P1118 (VB7)	-3.0	-2.0	12.5	1200	B
HK50-P1125	-18.0	-9.5	8.5	1200	A
HK50-P1126	-24.5	-18.0	-8.5	1200	A
HK50-P1127	1.5	5.0	12.5	1200	A
HK50-P1133	-18.0	-9.5	8.5	1000	B
HK54-P1102 (VS5)	-30.0	-20.0	-10.0	1200	B
HK59-L1102 (VT9)	-26.0	3.5	3.5	1200	B
HK60-P1013 (VP4)	-25.0	-18.0	-4.0	1200	B
HK60-P1038	-26.0	0	-2.0	600	B

Danfoss Type



PART NO.	APPLICATION	COLD OFF °C	COLD ON °C	WARM OFF °C	WARM ON °C	CAPILLARY (MM)
077B0021	Freezer	-20.5	-10.0	-11.0	-2.0	1000
077B0033	Freezer	-24.5	-13.5	-5.0	2.5	1000
077B6028	Refrigerators	-27.0	3.5	-11.0	3.5	1000
077B6221	Refrigerators	-23.0	-3.5	-12.5	3.5	1000
077B7005	Freezer	-32.5	-21.0	-15.0	7.5	400

OTHER THERMOSTAT TYPE



Defrost Thermostat

PART NO.	DIFF.(oF)	OPEN(oF)	CLOSE(oF)
HKDT45	20	45	25
HKDT50	20	50	30
HKDT55	20	55	35
HKDT60	20	60	40
HKDT70	20	70	50
HKDT80	50	80	30
HKDT90	55	90	35

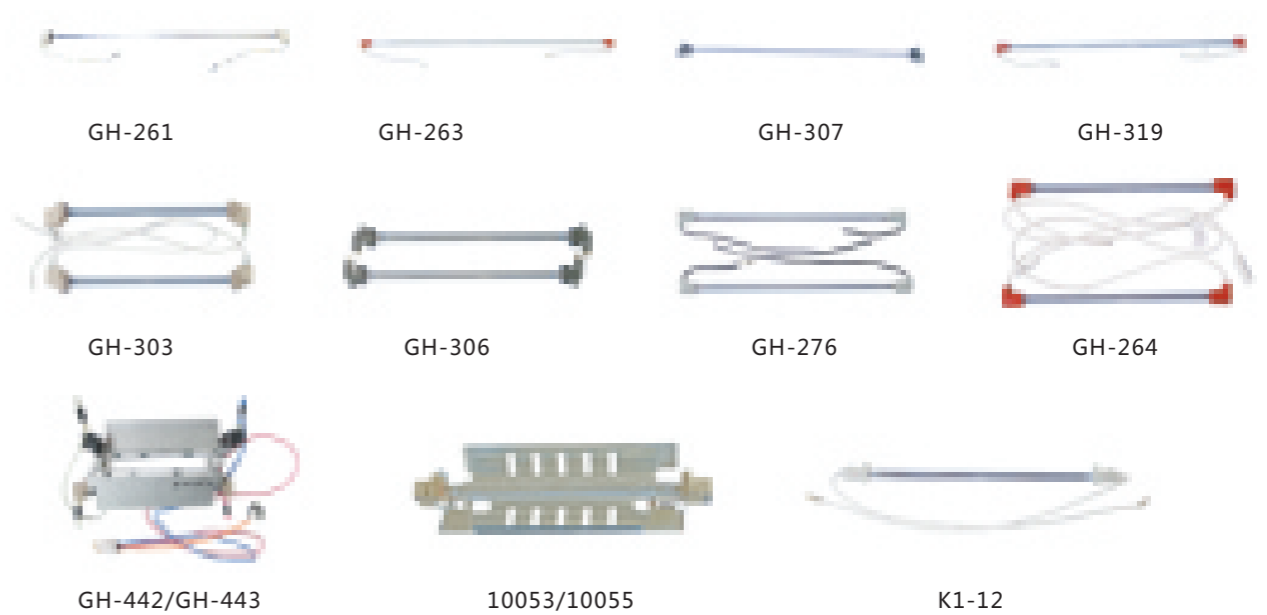
Electrical Specs.

10 Amps @ 120VAC

5 Amps @ 250VAC



Defrost Heater



Glass Tube

ITEM NAME	PART NO.	VOLTAGE/WATT	GLASS LENGTH	OVERALL LENGTH	TUBE	BRACKET
GLASS HEATER	GH-261	115V/550W	21 3/16"	21 15/16"	single tube	no
GLASS HEATER	GH-263	115V/630W	21 5/8"	22 3/8"	single tube	no
GLASS HEATER	GH-264	115V/550W	8 1/2"	9 1/4"	two series tubes	no
GLASS HEATER	GH-276	115V/550W	10 5/8"	11 3/8"	two series tubes	no
GLASS HEATER	GH-303	115V/615W	8 1/4"	9 3/4"	two series tubes	no
GLASS HEATER	GH-306	115V/775W	10 19/20"	12 1/2"	two series tubes	no
GLASS HEATER	GH-307	115V/425W	22 1/8"	23 7/16"	single tube	no
GLASS HEATER	GH-319	115V/400W	17 1/4"	18"	single tube	no
GLASS HEATER	10" (250mm +)	110V/115W	8 7/10"	10"	single tube	no
GLASS HEATER	12" (300mm +)	110V/130W	10 7/10"	12"	single tube	no
GLASS HEATER	13" (330mm +)	110V/150W	11 4/5"	13"	single tube	no
GLASS HEATER	14" (350mm +)	110V/150W	12 7/10"	14"	single tube	no
GLASS HEATER	16" (400mm +)	110V/170W	14 4/5"	16"	single tube	no
GLASS HEATER	17" (430mm +)	110V/180W	15 7/10"	17"	single tube	no
GLASS HEATER	18" (450mm +)	110V/200W	16 7/10"	18"	single tube	no
GLASS HEATER	19" (482mm +)	110V/210W	17 7/10"	19"	single tube	no
GLASS HEATER	20" (504mm +)	110V/220W	18 7/10"	20"	single tube	no
GLASS HEATER	22" (554mm +)	110V/260W	10 7/10"	22"	single tube	no
GLASS HEATER	WR51×10053	115V/575W	8 1/4"	9"	single tube	yes
GLASS HEATER	WR51×10055	115V/725W	10 19/20"	12"	single tube	yes
GLASS HEATER	WR51×442	115V/600W	8 1/4"	9"	two series tubes	yes
GLASS HEATER	WR51×443	115V/772W	10 19/20"	12"	two series tubes	yes
GLASS HEATER	WR51×10101	115V/575W	8 1/4"	9"	two series tubes	yes

Defroster Timer



HK-DT0197



HK-DT0198



HK-DT0202



HK-DT0204



HK-DT0205



HK-DT0206



HK-DT0207



HK-DT0208



HK-DT0209



HK-DT0210



HK-DT0241

PART NO.	DESCRIPTION
HK-DT0197	DEFROST TIMER METAL LDB621 GP-January 2143 ADMIRAL N111AD 55467-1/54113-4
HK-DT0198	TRANSPARENT BLACK DEFROST TIMER LDE621 99319A GP-1
HK-DT0199	DEFROST TIMER 120V 60HZ LDC621 HEAVY DUTY 2143
HK-DT0200	CLOCK-GE A1401 INVENSYS DESCONG/6X21M IMPORTED MEXICO
HK-DT0201	HEAVY DUTY TIMER 120V 60HZ 2143 LDC625 DEFROST
HK-DT0202	DEFROST TIMER 120V 60HZ LDC825 HEAVY DUTY 2143
HK-DT0203	DEFROST TIMER METAL LDB825 GP-January 2143 482493 B931WP WHIRPOOL
HK-DT0204	TRANSPARENT BLACK DEFROST TIMER LDE821 00180A GP-1
HK-DT0205	WATCH INVENSYS DESCONG/8X20M OB1401-00 IMPORTED MEXICO
HK-DT0206	WATCH NEV / MABE 1432 10HX30MIN TMDJX35RB9_162D6022P006
HK-DT0207	WATCH NEV / WHIRPOOL TMDJ621ZN9 D1 1432 6 Hours 21min
HK-DT0210	DEFROST TIMER 120V 60HZ 1432 PLASTIC LDD625
HK-DT0240	DEFROST TIMER METAL LDB820 GP-February 2143 FRIGIDAIRE F1111-1 628518/628514

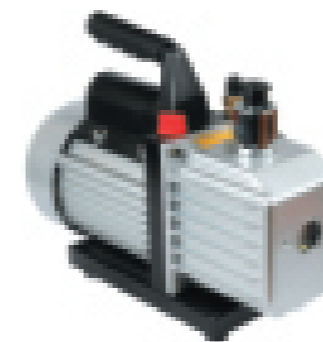
Vacuum Pump

MODEL A VACUUM PUMP



PART NO.	POWER	FREE AIR DISPLACEMENT	ULTIMATE VACUUM (micron)	POWER (W)	SPEED (R/M)
HKVP-1.5	220V/50Hz	1.44CFM(2.45m3/h)	75	130	1440
HKVP-1.5	115V/60Hz	1.70CFM(2.89m3/h)	75	180	1720
HKVP-3	220V/50Hz	2.30CFM(3.90m3/h)	75	180	1440
HKVP-3	115V/60Hz	2.75CFM(4.67m3/h)	75	210	1720
HKVP-5	220V/50Hz	4.66CFM(7.90m3/h)	75	190	1440
HKVP-5	115V/60Hz	5.50CFM(9.34m3/h)	75	190	1720
HKVP-8	220V/50Hz	6.23CFM(10.58m3/h)	75	300	2880
HKVP-8	115V/60Hz	7.50CFM(12.74m3/h)	75	300	3440
HKVP-10	220V/50Hz	7.94CFM(13.50m3/h)	75	300	2880
HKVP-10	115V/60Hz	9.53CFM(16.20m3/h)	75	300	3440
HKVP-12	220V/50Hz	9.64CFM(16.34m3/h)	75	300	2880
HKVP-12	115V/60Hz	11.50CFM(19.55m3/h)	75	300	3440

MODEL B VACUUM PUMP

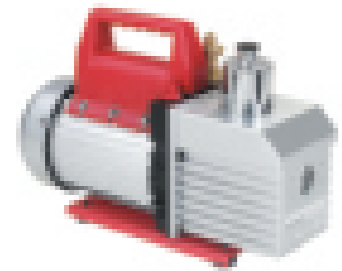


PART NO.	POWER	FREE AIR DISPLACEMENT	ULTIMATE VACUUM (micron)	POWER (W)	SPEED (R/M)
2HKVP-1.5	220V/50Hz	1.44CFM (2.45m3/h)	15	200	1440
2HKVP-1.5	115V/60Hz	1.70CFM (2.89m3/h)	15	200	1720
2HKVP-3	220V/50Hz	2.30CFM (3.90m3/h)	15	200	1440
2HKVP-3	115V/60Hz	2.75CFM (4.67m3/h)	15	210	1720
2HKVP-5	220V/50Hz	4.66CFM (7.90m3/h)	15	330	2880
2HKVP-5	115V/60Hz	5.50CFM (9.34m3/h)	15	380	3440
2HKVP-8	220V/50Hz	6.23CFM (10.58m3/h)	12	390	2880
2HKVP-8	115V/60Hz	7.50CFM (12.74m3/h)	12	400	3440
2HKVP-10	220V/50Hz	7.94CFM (13.50m3/h)	12	390	2880
2HKVP-10	115V/60Hz	9.53CFM (16.20m3/h)	12	400	3440
2HKVP-12	220V/50Hz	9.64CFM (16.34m3/h)	12	390	2880
2HKVP-12	115V/60Hz	11.5CFM (19.55m3/h)	12	400	3440

Vacuum Pump



PART NO.	HKVP-1.2BW	
Frequency	50/60HZ	
Free Air Displacement	0.57 I/S	1.2CFM
Ultimate Vacuum	-0.08 Mpa	
Motor Power	60W	
Motor Speed	3500r/m	
Net Weight	1.5kg	
Dimensions	195×65×130mm	



PART NO.	HKVP-5B		2LVP-3B	
Frequency	50/60HZ		50/60HZ	
Free Air Displacement	5.49CFM	9.32m³/h	3.44CFM	5.84m³/h
	155 I/min	2.59 I/s	97.4 I/min	1.62 I/s
Ultimate Vacuum	375 Micron	0.1mbar	38 Micron	0.05 mbar
	50pa	1.48×10 ⁻² inHg	5 pa	1.4765×10 ⁻³ inHg
Motor Power	250W		250W	
Motor Speed	3400r/m		3400r/m	
Oil Capacity	450ml		330ml	
Net Weight	6.5kg		7kg	
Dimensions	323×115×195mm		323×115×195mm	

Recovery Unit



PART NO.	HKRU-A			
Refrigerants	III: R-12,R-134A,R-401C,R-406A,R-500			
	IV: R-22,R-401A,R-401B,R-402B,R-407C			
	R-407D,R-408A,R-409A,R-411A,R-411B			
	R-412A,R-502,R-509			
	V: R-402A,R-404A,R-407A,R-407B,R-410A,R-507			
Voltage	220-240V 50HZ		110-120V 60HZ	
Motor Power	1/2 HP			
Motor Speed	1450rpm@50HZ		1750rpm@60HZ	
Max. Current Draw	4A@50HZ		8A@60HZ	
Compressor Type	"Oil-less" air Cooled			
Hight pressure shut-off	38.5bar/385 okpa(558psi)			
Recovery Rate		III	IV	V
	Vapor	0.23kg/min	0.25kg/min	0.26kg/min
	Liquid	1.57kg/min	1.81kg/min	1.85kg/min
	Push/Pull	4.64kg/min	5.57kg/min	6.22kg/min
Operating Temp	0°C~40°C			

Manifold



M536G

DM636G

M136G

PART NO.			DESCRIPTION
DM501	DM601	DM101	Brass body, Hook, 2 Handwheels
DM536G	DM636G	DM136G	Brass body + 2 Gauges + LCH336RYB hose
DM560G	DM660G	DM160G	Brass body + 2 Gauges + LCH360RYB hose
DM572G	DM672G	DM172G	Brass body + 2 Gauges + LCH372RYB hose

Charging Hose



PART NO.	HKCH336RBY	HKCH360RBY	HKCH372RBY
DESCRIPTION	Hose set 3x36"	Hose set 3x60"	Hose set 3x72"
Max.Working Pressure (PSI)	R12, R22	500	500
	R134A	600	600
	R410A	800	800
Burst Pressure (PSI)	R12, R22	2500	2500
	R134A	3000	3000
	R410A	4000	4000

Quick Coupler

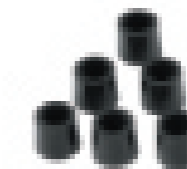


QC-12A

QC-12B

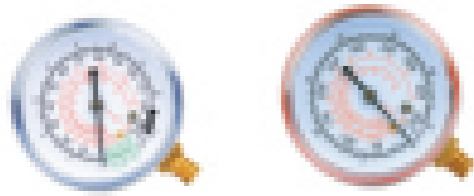
QC-12CB

Hose Gasket



PART NO.	DESCRIPTION
HKHG6	6 Pcs / Set
HKHG100	100 Pcs / Set

Refrigeration Gauge



PART NO.	DESCRIPTION
HKRG250	Blue case, 250PSI
HKRG500	Red case, 500PSI

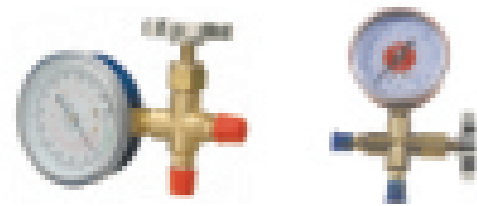
Liquid Filled Gauge



PART NO.	DESCRIPTION
HKFG250GF	Glycerin filled, 250PSI
HKFG500GF	Glycerin filled, 500PSI

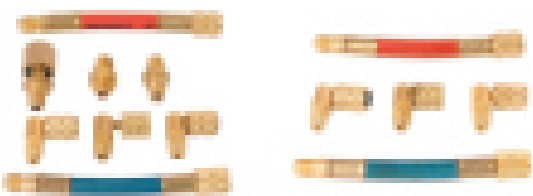
PART NO.	DESCRIPTION
HKFG250	Glycerin filled, 250PSI
HKFG500	Glycerin filled, 500PSI

Single Gauge Valve



PART NO.	DESCRIPTION
HKGV466	Single three way valve
HKGV466G	Charging and testing unit

Automotive Adapter Kit



HKAK135

HKAK135

PART NO.	DESCRIPTION
HKGV466	Red blue hoses & 3pcs 90o adapters
HKGV466G	Red blue hoses, 3pcs 90o adapters & 3pcs connector

Sight Glass



Flare Type

PART NO.	TUBE O. D.
HKSG14	1/4"
HKSG38	3/8"
HKSG12	1/2"
HKSG58	5/8"
HKSG34	3/4"



Solder Type

PART NO.	TUBE O. D.
HKSG14A	1/4"
HKSG38A	3/8"
HKSG12A	1/2"
HKSG58A	5/8"
HKSG34A	3/4"



Male Female Type

PART NO.	TUBE O. D.
HKSG14MF	1/4"
HKSG38MF	3/8"
HKSG12MF	1/2"
HKSG58MF	5/8"
HKSG34MF	3/4"

Hand Valve



Flare Type

PART NO.	TUBE O. D.
HKSG14	1/4"
HKSG38	3/8"
HKSG12	1/2"
HKSG58	5/8"
HKSG34	3/4"



Solder Type

PART NO.	TUBE O. D.
HKSG14A	1/4"
HKSG38A	3/8"
HKSG12A	1/2"
HKSG58A	5/8"
HKSG34A	3/4"

Access Valve



Capillary Tube with Nuts



PART NO.	FLARE NUT	CAPILLARY TUBE
HKCT800	1/4"	O.D. 1/8" L=800
HKCT900	1/4"	O.D. 1/8" L=900
HKCT1000	1/4"	O.D. 1/8" L=1000
HKCT1200	1/4"	O.D. 1/8" L=1200
HKCT1500	1/4"	O.D. 1/8" L=1500

Stop Valve



PART NO.	TUBE O. D.
HKSV14	1/4"
HKSV38	1/4" x 3/8"
HKSV12	1/4" x 1/2"
HKSV58	1/4" x 5/8"
HKSV34	1/4" x 3/4"

Can Tap Valve



PART NO.	DESCRIPTION
HKCT338	1/4" SAE outlet connection Design for the cans with 12mm x 1.5mm thread
HKCT339	1/4" SAE outlet connection Design for the cans with 14mm x 1.5mm thread
HKCT340	1/4" SAE outlet connection Design for any flat or screw type cans

Strainer



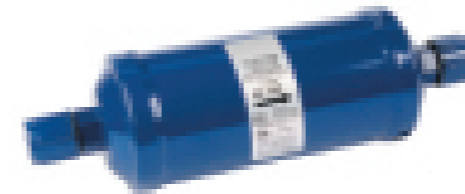
PART NO.	INLET (INCHES)	OUTLET (INCHES)	NO. OF OUTLETS
HKS100	1/4	0.093	1
HKS101	1/4	1/8	1
HKS102	1/4	1/4	1
HKS103	3/8	1/8	1
HKS104	3/8	1/4	1
HKS105	3/8	3/8	1
HKS201	1/4	0.146	2
HKS202	3/8	0.146	2
HKS301	1/4	0.146	3
HKS302	3/8	0.146	3

Copper Spun Filter Drier



PART NO.	O. D. (INCHES)	INLET (INCHES)	OUTLET (INCHES)	MOLECULAR (GRAM)	NO. OF OUTLETS
HKDX-3	3/4	1/4	1/4	10	A
HKDX-3A	3/4	1/4	1/4	10	B
HKDX-4	3/4	1/4	1/4	15	A
HKDX-4A	3/4	1/4	1/4	15	B
HKDX-5	1	1/4	1/4	25	A
HKDX-5A	1	1/4	1/4	25	B
HKDX-10	1	1/4	1/4	10	C

Liquid Line Filter Drier



HKEK series = Molecular Sieve
HKDK serie = Solid Core

PART NO.	CONNECTION (IN)		DIMENSIONS (INCHES)			
	SAE	ODF	A	B	C	
HKEK-032	HKDK-032	1/4		4.38	3.13	1.63
HKEK-032S	HKDK-032S		1/4	3.88	3.13	1.63
HKEK-033	HKDK-033	3/8		4.67	3.18	1.63
HKEK-033S	HKDK-033S		3/8	4.06	3.18	1.63
HKEK-052	HKDK-052	1/4		4.81	3.69	2.64
HKEK-052S	HKDK-052S		1/4	4.44	3.69	2.64
HKEK-053	HKDK-053	3/8		5.13	3.36	2.64
HKEK-053S	HKDK-053S		3/8	4.50	3.36	2.64
HKEK-082	HKDK-082	1/4		5.63	4.50	2.64
HKEK-082S	HKDK-082S		1/4	5.25	4.50	2.64
HKEK-083	HKDK-083	3/8		5.94	4.44	2.64
HKEK-083S	HKDK-083S		3/8	5.31	4.44	2.64
HKEK-084	HKDK-084	1/2		6.19	4.38	2.64
HKEK-084S	HKDK-084S		1/2	5.38	4.38	2.64
HKEK-162	HKDK-162	1/4		6.56	5.25	2.64
HKEK-162S	HKDK-162S		1/4	6.19	5.25	2.64
HKEK-163	HKDK-163	3/8		6.88	5.38	2.64
HKEK-163S	HKDK-163S		3/8	6.25	5.38	2.64
HKEK-164	HKDK-164	1/2		7.06	5.31	2.64
HKEK-164S	HKDK-164S		1/2	6.31	5.31	2.64
HKEK-165	HKDK-165	5/8		7.50	5.31	2.64
HKEK-165S	HKDK-165S		5/8	6.56	5.31	2.64
HKEK-167S	HKDK-167S		7/8	7.13	5.63	2.64
HKEK-303	HKDK-303	3/8		9.63	8.13	3.15
HKEK-303S	HKDK-303S		3/8	9.00	8.13	3.15
HKEK-304	HKDK-304	1/2		9.88	8.06	3.15
HKEK-304S	HKDK-304S		1/2	9.06	8.06	3.15
HKEK-305	HKDK-305	5/8		10.31	8.06	3.15
HKEK-305S	HKDK-305S		5/8	9.31	8.06	3.15
HKEK-306S	HKDK-306S		3/4	9.68	8.43	3.15
HKEK-307S	HKDK-307S		7/8	9.88	8.38	3.15
HKEK-309S	HKDK-309S		11/8	10.12	8.50	3.15
HKEK-413	HKDK-413	3/8		9.75	8.19	3.66
HKEK-414	HKDK-414	1/2		10.00	8.19	3.66
HKEK-414S	HKDK-414S		1/2	9.90	8.19	3.66
HKEK-415	HKDK-415	5/8		10.44	8.19	3.66
HKEK-415S	HKDK-415S		5/8	9.44	8.19	3.66
HKEK-417S	HKDK-417S		7/8	9.88	8.38	3.66
HKEK-419S	HKDK-419S		11/8	10.38	8.56	3.66
HKEK-757S	-		7/8	15.43	13.94	3.66
HKEK-759S	-		11/8	15.75	13.63	3.66

Suction Line Filter Drier



PART NO.	CONNECTION SIZE & TYPE	DIMENSIONS (INCHES)		
		A	B	C
HKPL-283T	3/8 ODF	4.40	5.59	3.50
HKPL-284T	1/2 ODF	4.43	5.69	3.50
HKPL-285T	5/8 ODF	4.92	6.38	3.50
HKPL-286T	3/4 ODF	6.18	7.75	3.50
HKPL-287T	7/8 ODF	6.22	7.87	3.50
HKPL-289T	1-1/8 ODF	6.60	8.25	3.50
HKPL-2811T	1-3/8 ODF	8.84	10.81	3.50
HKPL-2813T	1-5/8 ODF	8.50	10.50	3.50

Bi-Directional Heat Pump Filter Drier



PART NO.	CONNECTION (IN)		DIMENSIONS (INCHES)		
	SAE	ODF	A	B	C
HKFK-083	3/8		5.94	4.06	2.64
HKFK-083S		3/8	5.31	4.06	2.64
HKFK-084	1/2		6.19	4.06	2.64
HKFK-084S		1/2	5.38	4.13	2.64
HKFK-085	5/8		6.63	4.13	2.64
HKFK-085S		5/8	5.63	4.88	2.64
HKFK-163	3/8		6.75	4.88	3.15
HKFK-163S		3/8	6.13	4.88	3.15
HKFK-164	1/2		7.00	4.88	3.15
HKFK-164S		1/2	6.13	4.88	3.15
HKFK-165	5/8		7.44	4.88	3.15
HKFK-165S		5/8	6.44	4.88	3.15
HKFK-167S		7/8	7.00	4.88	3.15

Liquid Line Filter Drier with Sight Glass



PART NO.	CONNECTION (IN)		VOLUME (CU.IN)	A(IN)	B(IN)	C(IN)
	SAE	ODF				
HKEG-052	1/4		5	5.80		2.50
HKEG-053	3/8		5	6.18		2.50
HKEG-053S		3/8	5	5.92	4.54	2.50
HKEG-082	1/4		8	6.55		2.50
HKEG-083	3/8		8	6.93		2.50
HKEG-083S		3/8	8	6.66	5.29	2.50
HKEG-084	1/2		8	7.08		2.50
HKEG-084S		1/2	8	6.73	5.29	2.50
HKEG-162	1/4		16	7.53		2.50
HKEG-163	3/8		16	7.91		2.50
HKEG-163S		3/8	16	7.65	6.27	2.50
HKEG-164	1/2		16	8.06		2.50
HKEG-164S		1/2	16	7.71	6.27	2.50
HKEG-165	5/8		16	8.31		2.50
HKEG-165S		5/8	16	8.04	6.27	2.50
HKEG-303	3/8		30	10.47		2.50
HKEG-304	1/2		30	10.62		2.50
HKEG-304S		1/2	30	10.27	8.83	2.50
HKEG-305S		5/8	30	10.60	8.83	2.50
HKEG-307S		7/8	30	11.13	8.83	2.50

Replaceable Core Filter Drier



PART NO.	CONNECTION ODF(IN)	NO. OF BLOCKS	DIMENSIONS (INCHES)					
			A	B	C	D	E	F
HKPL-485T	5/8	1	9.31	6.05	4.75	6.09	3.13	4.50
HKPL-487T	7/8	1	9.50	6.05	4.75	6.25	3.25	4.50
HKPL-489T	1 1/8	1	9.38	6.05	4.75	6.31	3.25	4.50
HKPL-4811T	1 3/8	1	9.75	6.05	4.75	6.44	3.38	4.50
HKPL-967T	7/8	2	15.13	6.05	4.75	11.87	3.28	4.50
HKPL-969T	1 1/8	2	15.19	6.05	4.75	11.97	3.28	4.50
HKPL-9611T	1 3/8	2	15.31	6.05	4.75	12.06	3.38	4.50
HKPL-9613T	1 5/8	2	15.31	6.05	4.75	12.06	3.41	4.50
HKPL-1449T	1 1/8	3	20.50	6.05	4.75	17.25	3.25	4.50
HKPL-14411T	1 3/8	3	20.75	6.05	4.75	17.53	3.38	4.50
HKPL-14413T	1 5/8	3	20.75	6.05	4.75	17.53	3.41	4.50
HKPL-14417T	2 1/8	3	20.94	6.05	4.75	17.63	3.50	4.50
HKPL-19211T	1 3/8	4	26.66	6.05	4.75	23.41	3.38	4.50
HKPL-19213T	1 5/8	4	26.66	6.05	4.75	23.41	3.41	4.50
HKPL-19217T	2 1/8	4	26.84	6.05	4.75	23.65	3.50	4.50
HKPL-30013T	1 5/8	3	24.78	7.87	6.31	19.66	4.66	5.09
HKPL-30017T	2 1/8	3	24.87	7.87	6.31	19.87	4.66	5.09
HKPL-30021T	2 5/8	3	25.00	7.87	6.31	20.00	5.06	5.09
HKPL-30025T	3 1/8	3	25.13	7.87	6.31	20.13	5.09	5.09
HKPL-30029T	3 5/8	3	25.13	7.87	6.31	20.13	5.13	5.09
HKPL-30034T	4 1/4	3	24.94	7.87	6.31	19.63	5.25	5.09
HKPL-40017T	2 1/8	3	34.56	7.87	6.31	30.50	5.31	5.09
HKPL-40021T	2 5/8	4	34.75	7.87	6.31	30.56	5.38	5.09

Liquid Line Filter Core



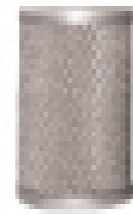
PART NO.	DIMENSIONS (INCHES)			MOECULAR SIEVE	ACTIVATED ALUMINIUM	CARBON
	A	B	C			
HKDS48	1.76	3.70	5.50	80%	20%	-
HKHS48	1.76	3.70	5.50	100%	-	-
HKDW48	1.76	3.70	5.50	75%	20%	5%
HKHW48	1.76	3.70	5.50	95%	-	5%
HKDS100	2.90	4.80	6.50	80%	20%	-
HKHS100	2.90	4.80	6.50	100%	-	-
HKDW100	2.90	4.80	6.50	75%	20%	5%
HKHW100	2.90	4.80	6.50	95%	-	5%

Suction Line Filter Core



PART NO.	DIMENSIONS (INCHES)		
	A	B	C
HKX48	3.74	5.51	0.79
HKX100	4.69	6.54	1.10

Suction Oil Filter Core



PART NO.	DIMENSIONS (INCHES)		
	A	B	C
HKS48	3.74	5.51	0.79
HKS100	4.69	6.54	1.10

Gas-Liquid Separator



PART NO.	CONNECTION SIZE & TYPE	DIMENSIONS (INCHES)	
		A	B
HKGLS204	1/2 ODF	4.00	8.38
HKGLS-205	5/8 ODF	4.00	10.63
HKGLS-206	3/4 ODF	5.50	10.25
HKGLS-207	7/8 ODF	5.50	12.50
HKGLS-208	1 1/8 ODF	6.50	15.63
HKGLS-209	1 3/8 ODF	6.50	20.63
HKGLS-210	1 5/8 ODF	6.50	22.63

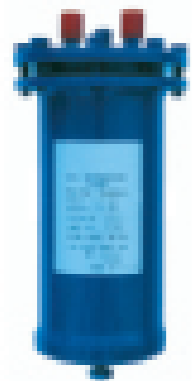
Oil Separator



PART NO.	CONNECTION SIZE & TYPE	DIMENSIONS (INCHES)	
		A	B
HKOS-55824	1/2 ODF	4.00	10.25
HKOS-55855	5/8 ODF	4.00	14.25
HKOS-55877	7/8 ODF	4.00	17.75
HKOS-55889	1 1/8 ODF	4.00	21.00
HKOS-559011	1 3/8 ODF	4.00	21.25
HKOS-569011	1 3/8 ODF	6.00	15.63
HKOS-569213	1 5/8 ODF	6.00	18.63
HKOS-569417	2 1/8 ODF	6.00	19.18

PART NO.	CONNECTION SIZE & TYPE	DIMENSIONS (INCHES)			
		A	B	C	D
HKGLS-596	3/4 ODF	5.00	9.65	8.50	2.75
HKGLS-597	7/8 ODF	5.00	9.76	8.50	2.75
HKGLS-5126	3/4 ODF	5.00	12.76	11.61	2.75
HKGLS-5127	7/8 ODF	5.00	12.99	11.77	2.75
HKGLS-5137	7/8 ODF	5.00	14.65	13.39	2.75
HKGLS-5139	1 1/8 ODF	5.00	14.80	13.39	2.75
HKGLS-5179	1 1/8 ODF	5.00	18.39	16.93	2.75
HKGLS-51711	1 3/8 ODF	5.00	18.43	16.93	2.75
HKGLS-61411	1 3/8 ODF	6.00	15.24	13.74	2.94
HKGLS-62013	1 5/8 ODF	6.00	21.89	20.28	2.94

Oil Separator with Flange



PART NO.	CONNECTIONS(IN) ODF	DIA-A(IN)	B(IN)	C(IN)	D(IN)	E(IN)
HKOS-5303	5/8	4	13.78	1.38	1.81	5.59
HKOS-5304	7/8	4	16.73	1.58	1.81	5.59
HKOS-5305	1-1/8	4	17.91	1.77	1.81	5.59
HKOS-5306	1-3/8	4	19.09	1.97	1.81	5.59
HKOS-5307	1-5/8	4	19.09	1.97	1.81	5.59
HKOS-6302	1-1/8	6	15.16	1.77	3.03	7.16
HKOS-6303	1-3/8	6	16.93	1.97	3.03	7.16
LOS-6304	1-5/8	6	16.93	1.97	3.03	7.16
LOS-6305	2-1/8	6	19.30	2.40	3.03	7.16

Heat Exchanging Gas-liquid Separator

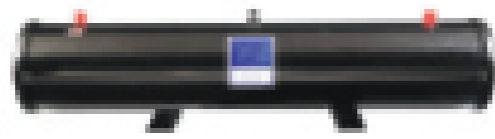


PART NO.	CONNECTION (INCHES)		DIMENSIONS (INCHES)				
	SUCTION LINE	LIQUID LINE	A	B	C	D	E
HKPLR-2404	1/2 ODF	3/8 ODF	4	8.47	1.38	2.08	2.37
HKPLR-2405	5/8 ODF	3/8 ODF	4	10.83	1.38	2.12	2.37
HKPLR-2406	3/4 ODF	1/2 ODF	5.5	10.24	1.58	3.14	2.72
HKPLR-2407	7/8 ODF	1/2 ODF	5.5	12.60	1.58	3.19	2.72
HKPLR-2411	1-1/8 ODF	5/8 ODF	6.5	15.75	1.96	3.11	3.74
HKPLR-2413	1-3/8 ODF	3/4 ODF	6.5	20.87	2.16	3.31	3.15
HKPLR-2415	1-5/8 ODF	7/8 ODF	6.5	22.84	2.36	3.23	3.19

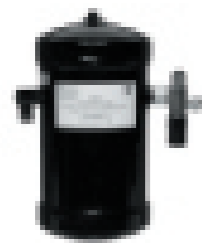
Liquid Receiver



PART NO.	CONNECTION (INCHES)		DIMENSIONS (INCHES)					
	INLET SIZE	OUTLET SIZE	A	B	C	D	E	F
HKLR-2528WV	1/2 ODF	1/2 ODF	5.50	27.98	4.53	13.78	5.37	6.54
HKLR-2635WV	5/8 ODF	5/8 ODF	6.50	35.40	4.93	17.72	5.37	6.54
HKLR-2836WV	7/8 ODF	7/8 ODF	8.50	35.83	6.10	17.72	7.50	8.66
HKLR-2840WV	1-1/8 ODF	1-1/8 ODF	8.50	38.77	6.89	19.69	7.50	8.66



PART NO.	CONNECTION (INCHES)		DIMENSIONS (INCHES)			
	INLET SIZE	OUTLET SIZE	A	B	C	D
HKLR-051WS	5/8 ODF	5/8 ODF	5.50	27.98	4.53	13.78
HKLR-052WS	5/8 ODF	5/8 ODF	5.50	35.40	4.53	17.72
HKLR-053WS	5/8 ODF	5/8 ODF	6.50	29.92	4.53	13.78
HKLR-054WS	5/8 ODF	5/8 ODF	6.50	35.40	4.53	17.72



PART NO.	CONNECTION (INCHES)		DIMENSIONS (INCHES)	
	INLET SIZE	OUTLET SIZE	A	B
HKLR-101	3/8 ODF	1/4 ODF	3.35	7.87
HKLR-102	3/8 ODF	3/8 ODF	5.00	10.24
HKLR-103	3/8 ODF	3/8 ODF	5.00	11.42
HKLR-104	1/2 ODF	1/2 ODF	6.00	13.78
HKLR-105	5/8 ODF	5/8 ODF	7.00	16.15
HKLR-106	3/4 ODF	3/4 ODF	6.50	23.60
HKLR-107	7/8 ODF	7/8 ODF	6.50	27.56



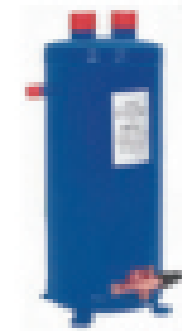
PART NO.	CONNECTION (INCHES)		DIMENSIONS (INCHES)	
	INLET SIZE	OUTLET SIZE	A	B
HKLR-101D	3/8 ODF	1/4 ODF	3.35	7.87
HKLR-102D	3/8 ODF	3/8 ODF	5.00	10.24
HKLR-103D	3/8 ODF	3/8 ODF	5.00	11.42
HKLR-104D	1/2 ODF	1/2 ODF	6.00	13.78
HKLR-105D	5/8 ODF	5/8 ODF	7.00	16.15

Refrigerant Receiver



PART NO.	CONNECTION (INCHES)		DIMENSIONS (INCHES)	
	INLET	OUTLET	A	B
HKLR-433	3/8 ODF	3/8 ODF	5.50	12.20
HKLR-644	1/2 ODF	1/2 ODF	6.50	12.40
HKLR-844	1/2 ODF	1/2 ODF	6.50	15.95
HKLR-1055	5/8 ODF	5/8 ODF	6.50	20.00
HKLR-1455	5/8 ODF	5/8 ODF	8.60	17.72
HKLR-3511	1-3/8 ODF	1-3/8 ODF	12.80	22.50
HKLR-5613	1-5/8 ODF	1-5/8 ODF	15.80	22.50
HKLR-7013	1-5/8 ODF	1-5/8 ODF	17.70	22.50

Heating Exchangers of Liquid Receiver & Liquid Accumulator



PART NO.	Compressor (HP)	Evaporating (°C)	H. Pressure Total volume (L)	L. Pressure Total volume (L)	H. Pressure Conn(in)	L. Pressure Conn(in)	Dimensions(mm)		
							Length	Width	Height
HKLR-304	1	+5	0.9	0.5	3/8	1/2	150	150	260
HKLR-304	3/4	-10	0.9	0.5	3/8	1/2	150	150	260
HKLR-304	1/2	-30	0.9	0.5	3/8	1/2	150	150	260
HKLR-305	2	+5	1.7	0.8	3/8	5/8"	190	190	242
HKLR-305	1.5	-10	1.7	0.8	3/8	5/8"	190	190	242
HKLR-305	1	-30	1.7	0.8	3/8	5/8"	190	190	242
HKLR-307	5	+5	3.2	2.4	3/8	7/8"	210	210	330
HKLR-307	3	-10	3.2	2.4	3/8	7/8"	210	210	330
HKLR-307	2	-30	3.2	2.4	3/8	7/8"	210	210	330
HKLR-411	10	+5	4.5	4.2	1/2	1-1/8"	250	250	360
HKLR-411	7.5	-10	4.5	4.2	1/2	1-1/8"	250	250	360
HKLR-411	5	-30	4.5	4.2	1/2	1-1/8"	250	250	360
HKLR-513	15	+5	5.8	5.2	5/8	1-3/8"	270	270	420
HKLR-513	10	-10	5.8	5.2	5/8	1-3/8"	270	270	420
HKLR-513	7.5	-30	5.8	5.2	5/8	1-3/8"	270	270	420
HKLR-515	20	+5	8	6.3	5/8	1-5/8"	270	270	500
HKLR-515	15	-10	8	6.3	5/8	1-5/8"	270	270	500
HKLR-515	10	-30	8	6.3	5/8	1-5/8"	270	270	500
HKLR-721	40	+5	12	10	7/8	2-1/8"	340	340	550
HKLR-721	30	-10	12	10	7/8	2-1/8"	340	340	550
HKLR-721	20	-30	12	10	7/8	2-1/8"	340	340	550

4- Way Reversing Valve



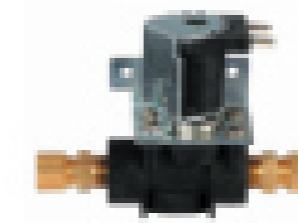
PART NO.	DIN/METER (mm)	MAX.O.P.D(MPA)			MIN. O.P.D(MPA)			APPLICABLE (VALUES FOR REFERENCE)		CONNECTION	
		R22 R407C	R410A		R22	R407C	R410A	HP	KW	DISCHARGE	SUCTION
SHF-4	8				0.25	0.25	0.30	0.75~1.5	1.4~5.27	5/16	3/8
SHF-7	11.1	2.45	3.1		0.34	0.30	0.30	1.5~3.7	2.1~9.85	3/8	1/2
SHF-9	11.1	2.45	3.1		0.34	0.30	0.30	1.5~3.7	2.1~9.85	3/8	5/8
SHF-11	11.5				0.30	0.30		2.5~4.2	4.5~12.5	1/2	5/8
SHF-20	15.5				0.30	0.30		4.0~6.0	7.1~25	1/2	3/4
SHF-34	20		3.1		0.30	0.30	0.30	6.5~12.0	18~45	3/4	7/8

Ball Valve



PART NO.	CONNECTION	
	SAE	ODF
HKBV14	1/4	-
HKBV38	3/8	-
HKBV38S	-	3/8
HKBV12	1/2	-
HKBV12S	-	1/2
HKBV58	5/8	-
HKBV58S	-	5/8
HKBV34	3/4	-
HKBV34S	-	3/4
HKBV78	-	7/8
HKBV118	-	11/8
HKBV138	-	13/8
HKBV158	-	15/8
HKBV218	-	21/8
HKBV258	-	25/8
HKBV318	-	31/8
HKBV418	-	41/8

Solenoid Valve



PART NO.	CONNECTION SAE	ODF	PORT SIZE (MM)	M. O. P. D (BAR)	MAX. WORKING PRESSURE(BAR)	KV FACTOR (M / HR)
HKSV20-2	1/4"		2.5	21	30	0.175
HKSV20-2S		1/4"	2.5	21	30	0.150
HKSV20-3	3/8"		3.0	21	30	0.230
HKSV20-3S		3/8"	3.0	21	30	0.230
HKSV64-3	3/8"		7.0	21	30	0.800
HKSV64-3S		3/8"	7.0	21	30	0.800
HKSV64-4	1/2"		7.0	21	30	0.800
HKSV64-4S		1/2"	7.0	21	30	0.800
HKSV70-4	1/2"		12.5	21	30	2.200
HKSV70-4S		1/2"	12.5	21	30	2.200
HKSV70-5	5/8"		12.5	21	30	2.610
HKSV70-5S		5/8"	12.5	21	30	2.610

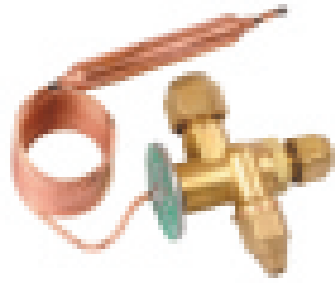
Vibration Eliminator

- Flexible Tubing : Stainless Steel 304
- Wire Braid : Stainless Steel 304
- Ferrule : Copper
- Tube End : Copper



PART NO.	SIZE (INCH)	DIMENSIONS (INCHES)					MAX WORKING PRESSURE (PSI)	BURST PRESSURE (PSI)
		A	B	C	D	E		
HKVE38	3/8	3/8	13/16	6-15/16	8-9/16	1/2	500	2500
HKVE12	1/2	1/2	7/8	7-1/4	9	1/2	500	2500
HKVE58	5/8	5/8	15/16	8	9-7/8	11/16	500	2500
HKVE34	3/4	3/4	1-1/4	8-1/16	10-9/16	11/16	500	2500
HKVE78	7/8	7/8	1-7/16	9-1/8	15	13/16	500	2500
HKVE118	1-1/8	1-1/8	1-13/16	9-7/16	19-3/16	13/16	500	2500
HKVE138	1-3/8	1-3/8	2	11-1/2	15-9/16	7/8	500	2500
HKVE158	1-5/8	1-5/8	2-1/4	12-3/8	16-7/8	15/16	500	2500
HKVE218	2-1/8	2-1/8	2-3/4	15-3/4	20-5/8	15/16	500	2500

Expansion Valve



PART NO.		NOMINAL CAPACITY (KW)			CONNECTION (MM)			
EQUALIZATION INTERNAL	EXTERNAL	R12	R22/R407C	R134A	INLET	OUTLET	TGE	CAPILLARY
HKEV-A0.5	LEV-A0.5W	0.81	1.28	1.01	10	12	6	75
HKEV-A0.8	LEV-A0.8W	1.16	1.86	1.45	10	12	6	75
HKEV-A1	LEV-A1W	1.40	2.33	1.75	10	12	6	75
HKEV-A1.2	LEV-A1.2W	1.74	2.83	2.18	10	12	6	75
HKEV-A1.5	LEV-A1.5W	2.21	3.60	2.76	10	12	6	75
HKEV-A2	LEV-A2W	2.91	4.77	3.64	10	12	6	75
HKEV-A3	LEV-A3W	5.81	10.00	7.26	10	12	6	75
HKEV-A4	LEV-A4W	10.47	17.44	13.09	10	16	6	75
HKEV-A5	LEV-A5W	13.14	21.51	16.43	10	16	6	75
HKEV-A7	LEV-A7W	18.37	30.23	22.96	16	16	6	95
HKEV-A9	LEV-A9W	31.40	53.49	39.25	16	16	6	95
HKEV-A11	LEV-A11W	45.35	69.77	57.20	19	19	6	95
HKEV-A13	LEV-A13W	98.84	157.00	124.50	19	19	6	95



PART NO.	EQUALIZATION FORM	CONNECTION				REFRIGERANT
		INLET (MM)	OUTLET (MM)	EQUALIZATION (IN)	CAPILLARY (MM)	
HKEV-NHS/TF2	INT.	3/8	1/2		1500	R12
HKEV-WHS/TEF2	EXT.	3/8	1/2	1/4	1500	R12
HKEV-NHS/TX2	INT.	3/8	1/2		1500	R22
HKEV-WHS/TEX2	EXT.	3/8	1/2	1/4	1500	R22
HKEV-NHS/TZ2	INT.	3/8	1/2		1500	R407C
HKEV-WHS/TEZ2	EXT.	3/8	1/2	1/4	1500	R407C
HKEV-NHS/TN2	INT.	3/8	1/2		1500	R134A
HKEV-WHS/TEN2	EXT.	3/8	1/2	1/4	1500	R134A
HKEV-NHS/TS2	INT.	3/8	1/2		1500	R404A
HKEV-WHS/TES2	EXT.	3/8	1/2	1/4	1500	R507
HKEV-NHS/TY2	INT.	3/8	1/2		1500	R502
HKEV-WHS/TEY2	EXT.	3/8	1/2	1/4	1500	R502
HKEV-NHC/T1	INT.	3/8	1/2		1500	R12
HKEV-WHC/TE1	EXT.	3/8	1/2	1/4	1500	R12

ORIFICE	NOMINAL CAPACITY (KW)					
	R12	R22	R407C	R134A	R404A/R507	R502
HKEV-0X	/	0.50	0.50	0.40	0.38	/
HKEV-00	0.70	1.00	1.10	0.90	0.70	0.70
HKEV-01	1.00	2.50	2.70	1.80	1.60	1.00
HKEV-02	1.70	3.50	3.80	2.60	2.10	2.10
HKEV-03	3.50	5.20	5.60	4.80	4.20	3.50
HKEV-04	5.20	8.00	8.60	6.70	6.00	5.20
HKEV-05	7.00	10.50	11.30	8.60	7.70	7.00
HKEV-06	10.50	15.50	16.70	10.50	9.10	10.50

Weldi



Rod Size: 1.32 x 3.2 x 500mm (flat)

3 x 3 x 500mm (square)

2 x 2 x 500mm (square)

Phosphorus-containing Brazing Alloys (Cu-P), (Ag-P-Cu)

Part No.	Chemical Composition (%)			Melting Range(°C)		Cross Reference		
	Ag	Cu	P	Solidus	Liquidus	AWS A5.8	DIN8513	BS1845
HKD-7P	—	Rem	6.8~7.5	710	800	BCuP-2	L-CuP7	CP3
HKD-2B	1.8~2.2	Rem	6.8~7.2	645	788	BCuP-6	L-Ag2P	CP2
HKD-5B	4.8~5.2	Rem	5.8~6.7	645	815	BCuP-3	L-Ag5p	CP4
HKD-6B	6.0	Rem	7.25	645	724	BCuP-4	--	--
HKD-15B	14.5~15.5	Rem	4.8~5.3	645	800	BCuP-5	L-Ag15p	CP1

Part No.	Chemical Composition (%)						Melting Range(°C)		Cross Reference
	Ag	Cu	Zn	Sn	Ni	Cd	Solidus	Liquidus	AWS A5.8
HKD-60B	59-61	28-32	—	—	—	—	600	730	BAG-18
HKD-50B	49-51	33-35	14-18	—	—	—	688	774	BAG-6
HKD-45B	44-46	29-31	24-27	—	—	—	677	743	BAG-5
HKD-30B	29-31	60-62	31-33	—	—	—	680	765	BAG-20
HKD-25B	24-26	40-42	33-35	—	—	—	700	790	--
HKD-20B	19-21	44-46	33-37	—	—	—	690	810	--
HKD-56BSn	55-57	21-23	15-19	4.5-5.5	—	—	620	655	BAG-7
HKD-45BSn	44-46	26-28	23-27	2.5-3.5	—	—	640	680	BAG-36
HKD-40BSn	39-41	29-31	27-29	1.5-2.5	—	—	650	710	BAG-28
HKD-34BSn	33-35	35-37	25-29	2.5-3.5	—	—	630	730	--
HKD-30BSn	29-31	35-37	31-33	1.5-2.5	—	—	665	755	--
HKD-25BSn	24-26	39-41	32-34	1.5-2.5	—	—	680	760	--
HKD-40BNi	39-41	29-31	26-30	—	1.5-2.0	—	660	780	BAG-4
HKD-50BNi	49-51	19-51	26-30	—	1.5~2.5	—	660	707	BAG-24
HKD-49BMnNi	48-50	15-17	22-25	—	4.0-5.0	Mn:6.5-8.5	680	700	BAG-22
HKD-20BCd	19-20.5	39-41	24-26	—	—	13-17	620	765	--
HKD-25BCd	24-26	29-31	26-29	—	—	16.5-18.5	605	720	BAG-27
HKD-30BCd	29-31	27-29	20-22	—	—	20-22	600	690	BAG-2a
HKD-35BCd	34-36	25-29	19-24	—	—	17-19	605	700	BAG-2
HKD-40BCd	39-41	15.5-16.5	19-23	—	—	18-22	595	630	--
HKD-45BCd	44-46	14-16	14-18	—	—	23-25	595	620	BAG-1
HKD-50BCd	49-51	14.5-16.5	14.5-18.5	—	—	17-19	625	635	BAG-1a

Flaring Tools



CM-195-A



CM-196-A



CM-500-A



CM-525-AM

ITEM NO.	ITEM NAME.	DESCRIPTION
CM-195-A	45°Common Extrusion Type Flaring Tool	For 3/16", 1/4", 5/16", 3/8", 7/16", 1/2" & 5/8" O.D.tubing.
CM-196-A	Flaring Tools	In inch:3/16",1/4",5/16",3/8",1/2",5/8",3/4" O.D.tubing
CM-500-A	45°Diamond Type Flaring & Burnishing Tool	For 3/16", 1/4", 5/16", 3/8", 1/2" & 5/8" O.D.tubing
CM-525-AM		For flaring tubing from 3/16" to 5/8" O.D. or from 5mm to 16mm O.D..



CM-508-A



CM-806/808-A



CM-806AL



CM-808AML

ITEM NO.	ITEM NAME.	DESCRIPTION
CM-508-A	45°With Bearing,laborsaving large Size Eccentric Cone Type Flaring Tools	inch:1/2",5/8",3/4",7/8"&1" O.D.tubing
CM-806-A	45°Eccentric Cone Type Flaring Tools	In inch:1/4",5/16",3/8",1/2",5/8"&3/4" O.D.tubing
CM-808-A		In inch:3/16",1/4",5/16",3/8",1/2",5/8"&3/4" O.D tubing
CM-806-AL		In inch:1/4",5/16",3/8",1/2",5/8"&3/4" O.D.tubing
CM-808-AL		in inch:3/16",1/4",5/16",3/8",1/2",5/8"&3/4" O.D tubing
CM-808-AML		In inch:3/16",1/4",5/16",3/8",1/2",5/8"&3/4" O.D tubing

Flaring Tools



CM-276-A



CM-276-AL



CM-276-AML

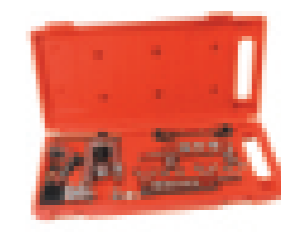
ITEM NO.	ITEM NAME.	DESCRIPTION
CM-276-A	45°Patent Extrusion Type Flaring&Swaging Tools	In inch:3/16",1/4",5/16",3/8",1/2",5/8",3/4" O.D.tubing
CM-276-AL		In inch:3/16",1/4",5/16",3/8",1/2",5/8",3/4" O.D.tubing
CM-276-AML		Flaring Tool:CM-276-A & CM-276-M;Tube Cutter:CM-274;Reamer:CM-208



CT-525



CT-275



CT-278



HKSW-95

ITEM NO.	ITEM NAME.	DESCRIPTION
CT-525	Flaring Tool	For 3/16" to 5/8" & 5-16 mm O.D. tubing
CT-275	45° Flaring & Swagging Tool Kit	For 1/8" , 3/16" , 1/4" , 5/16" , 3/8" , 7/16" , 1/2" , 5/8" & 3/4" O.D. tubing
CT-278		"Contained by LTK-275, LTC-274 & LTC-122"
HKSW-95	Swagging Punch Tool	For 1/4" , 5/16" , 3/8" , 1/2" & 5/8" O.D. tubing

Digital Clamp Meter

Features:

DVC : 200m-20-200-1000V
 ACV : 200-750V
 ACA : 20-200-1000A
 OHM : 200-2k-20k-200k-2MΩ
 20M-2000MΩ
 Diode Check : 2.8V / 1mA

HKDM260D



CLAMP METER
CM-MS2007B



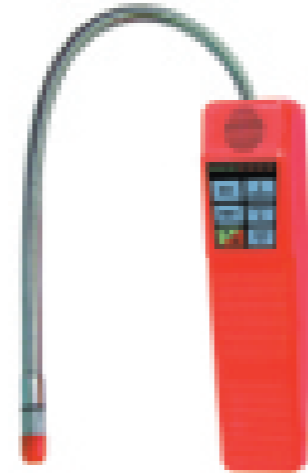
CLAMP METER
CM-MS2138



Halogen Leak Detector

Features:

- Microprocessor control, with Advanced Digital
- Signal Processing
- Tricolor visual display
- Seven(7) levels of sensitivity provide an increase of up to 64x
- Tactile keypad controls
- Real time sensitivity adjustment
- Battery Test function
- Battery voltage indication
- Certified to DELICACY for R134a, R12, R22
- Detects ALL Halogenated Refrigerants True mechanical pumping provides positive airflow through sensing tip
- Mute feature included
- Cordless and portable, operates on 2 "C" -cell batteries
- Carrying case included
- 14"(35.5cm) flexible, stainless probe
- Optional Carrying Holster Optional Reference Leak Source
- Two year warranty
- Design in Germany



LEAK DETECTOR CPU-1G

Features:

- Portable design,jacket with buckle for easily-carried;
- Visual display and single LED displays the leak degree in large range in the form of "gradually lightsthe light".
- Provding 5 levels of sensivity to set the real-time cycle adjustment.
- Pressing button,easy to operate;
- Battery voltage indicate with tricolor display;
- Detect all kinds of halogenated refrigerants;
- The high-efficient pump provides positive airflow past sensor to improve the sensitivity and response speed;
- Auto-calibrate after power on:the leak detector will automatically detect and ignore the concentration of refrigerants present in the environment

Specification and parameters:

- Power supply: 3VDC (2XAA battery)
- Max.Sensitivity: R12,R22,R134a: 6gr/yr
- Probe life: About 30H
- Working temperature: 0oC~52oC
- Battery life: 30H under normal condition
- Working mode: Continuous, No limit
- Response time: Instantaneous
- Warm-up time: About 6S
- Resetting time: 2S
- Weight: 200g
- Size: 17.0x3.4x5.5 cm
- Probe length: 30.5cm



LEAK DETECTOR HLD-200+



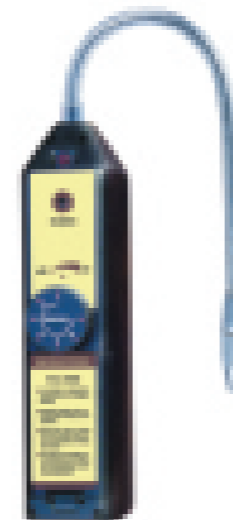
LEAK DETECTOR HLD-100

Features:

- Detects all kinds of halogenated refrigerants.
- Single color LED display with 6-level leak alarm.
- Doube-color display of battery voltage.
- RESET key that can provide convenient and fast resetting function.
- Real time sensitivity adjustment.
- Use quality sensors that can detect slightly leaked halogen gases.
- 14 inches (35.5cm) flexible stainless steel probe.

Specification and Parameters:

- Max Sensitivity: to halogenated refrigerants,3gr/yr
- Battery life: 30 hours under normal condition
- Working temperature:0oC ~ 52oC
- Working Mode: Contininuous and no limit
- Reaction time: Instant
- Resetting time: 2 seconds
- Warm-up time: about 6 seconds
- Size:22.9cm x 6.5cm x 6.5cm
- Weight:560 grams
- Power Supply:3V DV(2 quality batteries)
- Probe length: 35.5cm



LEAK DETECTOR WJL-6000

Features:

- Detects all kinds of halogen refrigerants.
- Sensitivity adjusted at any time and ity can be adjusted automatically to the best state of detecting.
- Inner precise IC with Ultra-Low power consume circuit design, more stable, longer battery time.
- Doube-color visual display of battery voltage.
- Excellent sensor, high sensivity, longer use time.

Specifications and parameters:

- Operating temperature: 0°C to 52°C (30°F to 125°F)
- Maximum sensitivity: 6 gr/yr, for all halogenated refrigerants.
- Battery life: Approximately 50 hours under normal use.
 - Response time: Instant.
 - Fixed Probe Length: 20cm.
- Unit Dimensions: 22.9cm x 6.5cm x 6.5cm.
- Warm-up time: Approximately 6 seconds.
 - Reset Time: Two to ten seconds.
- Power Supply: 6V DC, four cell 7# excellent batteries.

Torch



GAS TORCH DS-1

- Oxygen is not needed
- CGA600 connection
- High working temperature
- Adjustable pressure
- Used with MAPP or Propane tanks



WELDING TORCH RP3T2

- Oxygen is not needed
- CGA600 connection
- High working temperature
- Stronger power with dual tips
- Adjustable pressure
- Used with MAPP or Propane tanks



WELDING TORCH RP3T3

- Oxygen is not needed
- CGA600 connection
- Both the bent tube and the dual tips can spin 360°
- High working temperature
- Stronger power with dual tips
- Adjustable pressure
- Used with MAPP or Propane tanks

Tube Cutter



CM-105



CM-106



CM-107



CM-274



CM-312



CM-127



CM-128

ITEM NO.	ITEM NAME.	DESCRIPTION	MATERIAL
CM-105	Quick-ting tube Cutter	For 1/8"~1-1/4"(3-33mm) O,D.tubing	Aluminum alloy body
CM-107	Quick-ting tube Cutter	For 1/4"~2"(6-51mm) O,D.tubing	Aluminum alloy body
CM-109	Quick-ting tube Cutter	For 5/16"~1-5/8"(8-42mm) O,D.tubing	Aluminum alloy body
CM-274	Heavy-Duty Tube Cutter	For 1/8"~1-1/8"(3-28mm)O,D.tubing	Aluminum alloy body
CM-275	Heavy-Duty Tube Cutter	For 3/8"~1-1/8"(3-28mm)O,D.tubing	Aluminum alloy body
CM-312	Heavy-Duty Tube Cutter	For 1/4"~1-5/8"(6-42mm)O,D.tubing	Aluminum alloy body
CM-127	Mini Tube Cutter	For1/8"~5/8"(3-16mm)O,D.tubing	Aluminum alloy body
CM-128	Mini Tube Cutter	For1/8"~7/8"(3-22mm)O,D.tubing	Aluminum alloy body

Tube Bender



CM364-1



CM364-2



CM102



CM207



CM128-L



CM401



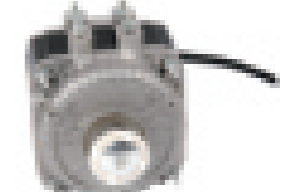
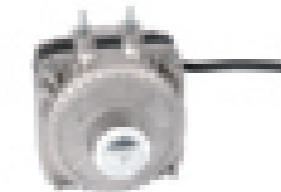
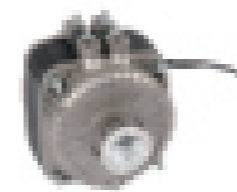
CM123L



CM-193

ITEM NO.	ITEM NAME.	DESCRIPTION
CM364-1	LEVER TYPE TUBE BENDER	For 1/4" & 6mm; 5/16" & 8mm; 3/8" & 10mm; 1/2" & 12mm O.D.tubing O.D. tubing
CM364-2	LEVER TYPE TUBE BENDER	For 5/8" & 16mm; 3/4" & 19mm; 7/8" & 22mm O.D.tubing O.D. tubing
CM102	BENDER SPRING	For 1/4", 3/8", 1/2", 5/8", 3/4" O.D. tubing
CM207	DEBURRERING KNIFE	Plastic body with a rotating knife, all sizes are available.
CM128-L	CAPILLARY TUBE CUTTER	Cuts all sizes of capillary tubes without collapsing nor swaging the tubes.
CM401	PINCH - OFF TOOL	7" Pinch off plier can pinch off copper tubing up to 3/4" (19mm) instantly.
CM123L	ARC RATCHET WRENCH	4 Sizes: 1/4", 3/16" square, 9/16", 1/2" hexagon ratchet.
CM-193	SWAING PUNCHES	For 1/4", 5/16", 3/8", 1/2", 5/8" O.D.tubing.

Shade-Pole Fan Motor

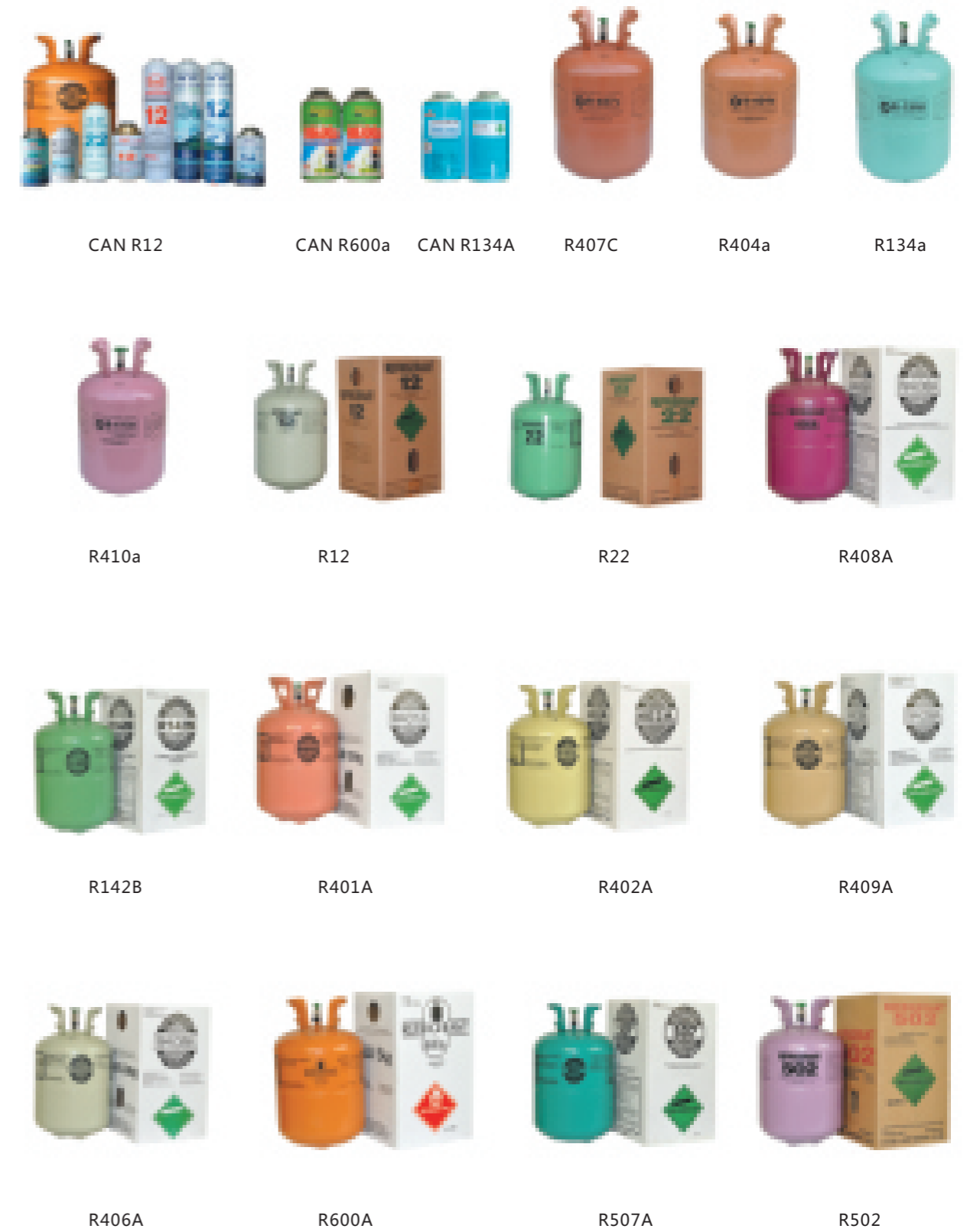


PART NO.	POWER (W) OUTPUT	TINPUT	VOLTAGE (V)	FREQ. (HZ)	CURRENT (A)	SPEED (R/MIN)	FAN BLADE (MM)	BRACKET (MM)	ROTATION
HKM5-13	5	29	110	60	0.40	1550	200	72	CW/CCW
HKM5-13-2	5	29	220	50/60	0.20	1300	200	72	CW/CCW
HKM10-20	10	35	110	60	0.60	1550	230	84	CW/CCW
HKM10-20-2	10	40	220	50/60	0.30	1300	230	84	CW/CCW
HKM16-25	16	50	110	60	0.75	1550	250	110	CW/CCW
HKM16-25-2	16	55	220	50/60	0.40	1300	250	110	CW/CCW
HKM18-30	18	75	110	60	0.85	1550	250	110	CW/CCW
HKM18-30-2	18	70	220	50/60	0.50	1300	250	110	CW/CCW
HKM25-40	25	95	110	60	1.60	1550	300	110	CW/CCW
HKM25-40-2	25	100	220	50/60	0.80	1300	300	110	CW/CCW
HKM34-45	34	115	110	60	1.70	1550	300	110	CW/CCW
HKM34-45-2	34	120	220	50/60	0.90	1300	300	110	CW/CCW

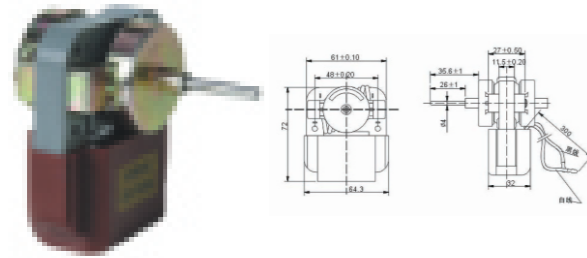
Latch/Hinge



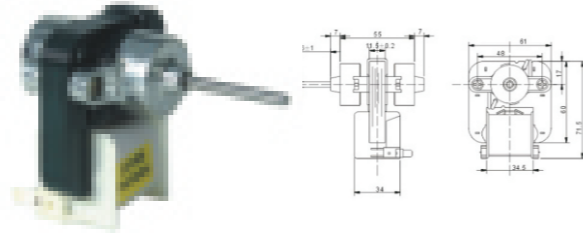
Refrigerant



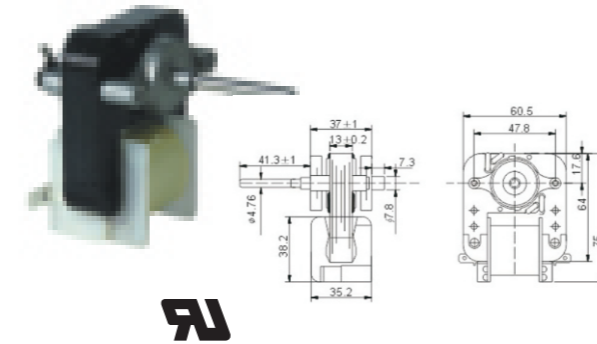
Evaporator Fan Motor



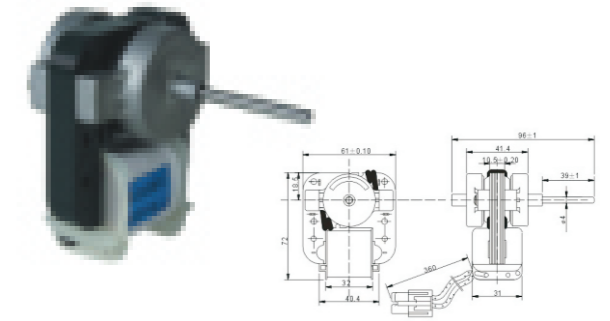
MODEL		VOLTAGE (V)	FREQUENCY (Hz)	CURRENT (A)	INPUT (W)	ROTA TION
YZF-61-115-R-C	02105570L	220	50/60	0.1	10	CCW
		110	50/60	0.18	10	CCW



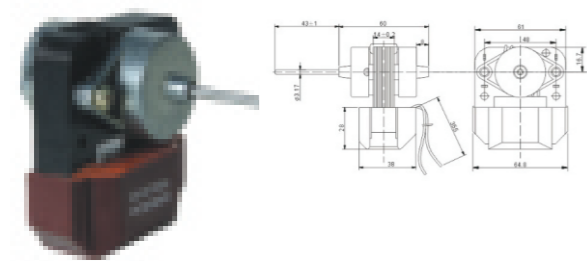
MODEL		VOLTAGE (V)	FREQUENCY (Hz)	CURRENT (A)	INPUT (W)	ROTA TION
YZF-61-115-R-D	2101289B	220	50/60	0.086	8	CCW
		110	50/60	0.16	10.5	CCW



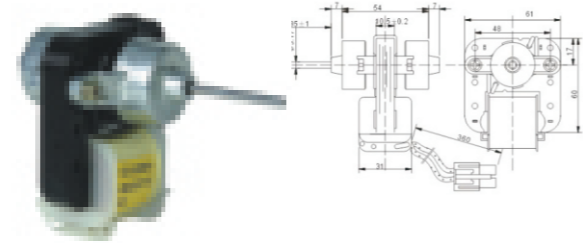
MODEL		VOLTAGE (V)	FREQUENCY (Hz)	CURRENT (A)	INPUT (W)	ROTA TION
YZF-605-13-R-B	ESM55/YZF-ESM55 ESM65	220	50/60	0.18	18	CW
		110	50/60	0.38	18	CW



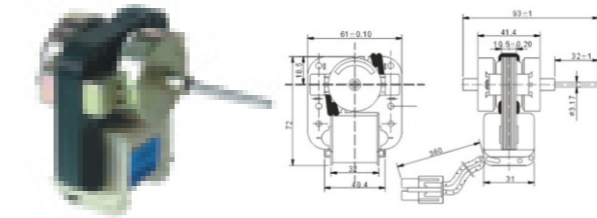
MODEL		VOLTAGE (V)	FREQUENCY (Hz)	CURRENT (A)	INPUT (W)	ROTA TION
YZF-61-105-R-C	IS-3210WNFF-2	220	50/60	0.08	8.5	CCW



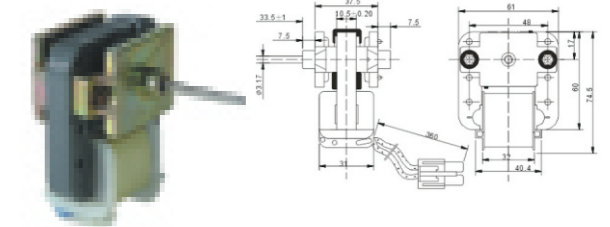
MODEL	VOLTAGE (V)	FREQUENCY (Hz)	CURRENT (A)	INPUT (W)	ROTA TION	LICENSE
YZF-61-14-R-B	220	50/60	0.1	10	CCW	
	110	50/60	0.18	10	CCW	



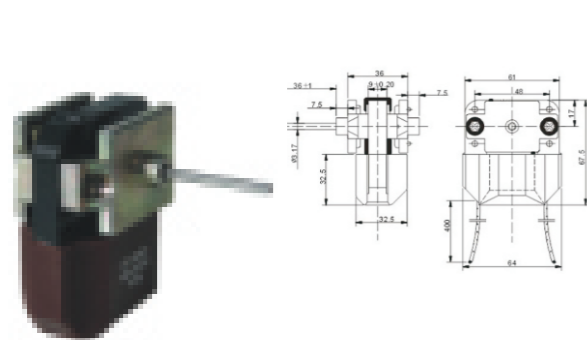
MODEL	VOLTAGE (V)	FREQUENCY (Hz)	CURRENT (A)	INPUT (W)	ROTA TION	
YZF-61-105-R-C	4680J1017E	110	50/60	0.1	10	CCW



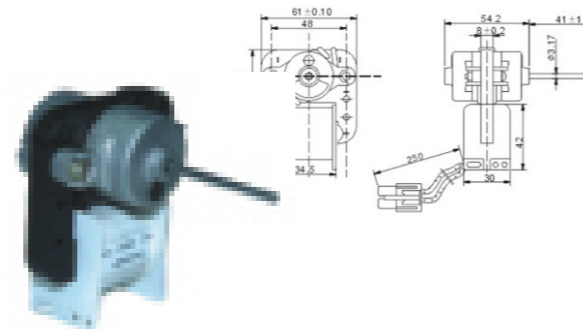
MODEL	VOLTAGE (V)	FREQUENCY (Hz)	CURRENT (A)	INPUT (W)	ROTA TION	
YZF-61-105-R-C	IS-3210DWNFO IS-3210DWNFO	220	50/60	0.1	10	CCW
		110	50/60	0.35	10	CCW



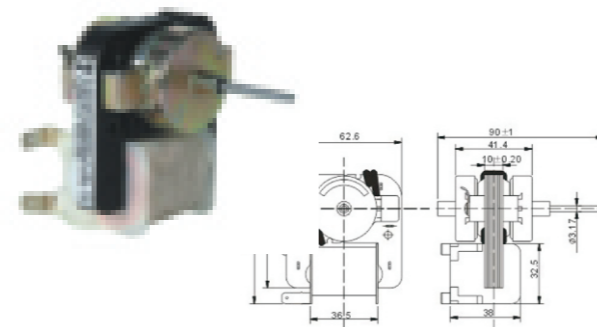
MODEL	VOLTAGE (V)	FREQUENCY (Hz)	CURRENT (A)	INPUT (W)	ROTA TION	
YZF-61-105-R-C	IS-3210SNPSA IS-3210SNPSA	220	50/60	0.08	8	CW/CCW
		110	50/60	0.15	8	CW/CCW



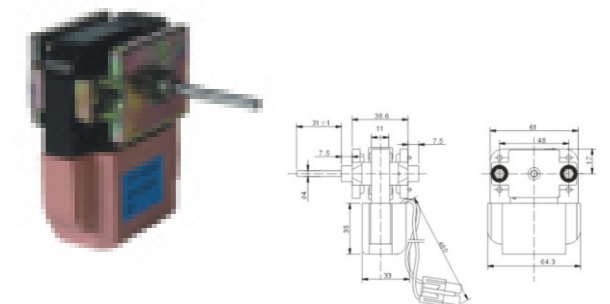
MODEL		VOLTAGE (V)	FREQUENCY (Hz)	CURRENT (A)	INPUT (W)	ROTA TION
YZF-61-9-R-C	4680J1021E	220	50/60	0.09	8.5	CW/CCW
		110	50/60	0.15	8	CW/CCW



MODEL	VOLTAGE (V)	FREQUENCY (Hz)	CURRENT (A)	INPUT (W)	ROTA TION	
YZF-61-8-R-C	4680J1035G	220	50/60	0.09	8	CCW

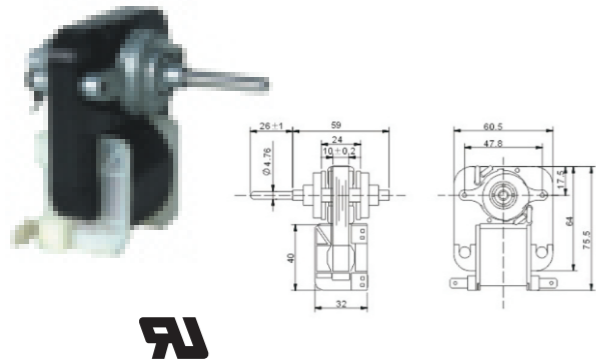


MODEL	VOLTAGE (V)	FREQUENCY (Hz)	CURRENT (A)	INPUT (W)	ROTA TION	
YZF-63-10-R	IS-23210GEVC IS-23210MBA-1	110	50/60	0.18	8	CCW
		110	50/60	0.12	7.5	CCW

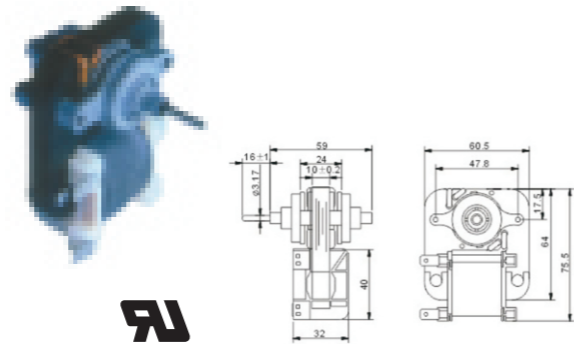


MODEL	VOLTAGE (V)	FREQUENCY (Hz)	CURRENT (A)	INPUT (W)	ROTA TION	
YZF-61-11-R-C	J58-00024K	110	50/60	0.16	8	CCW

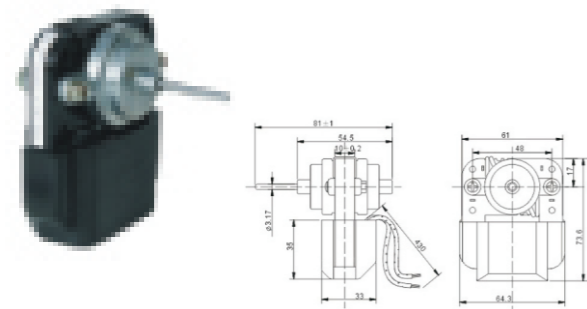
Evaporator Fan Motor



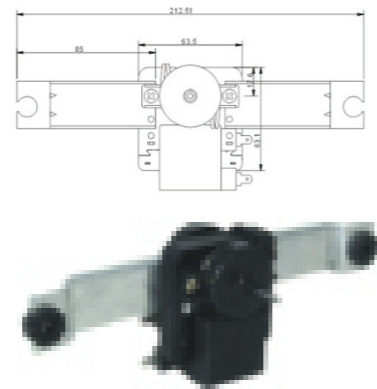
MODEL	VOLTAGE (V)	FREQUENCY (Hz)	CURRENT (A)	INPUT (W)	ROTA TION
YZF-60.5-10-R-B KM834	220	50/60	0.18	15	CW
KM634/YZM-KM834	110	50/60	0.3	15	CW



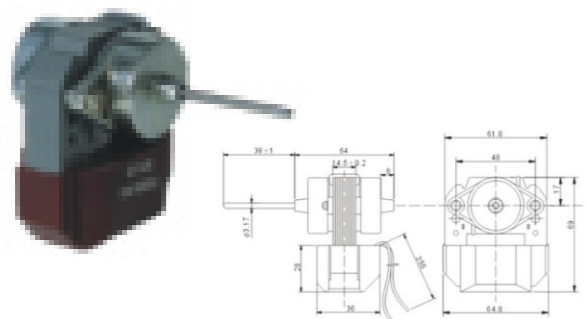
MODEL	VOLTAGE (V)	FREQUENCY (Hz)	CURRENT (A)	INPUT (W)	ROTA TION
YZF-60.5-10-R-B KM822	220	50/60	0.08	7	CW
KM822/YZM-KM822	110	50/60	0.16	7	CW



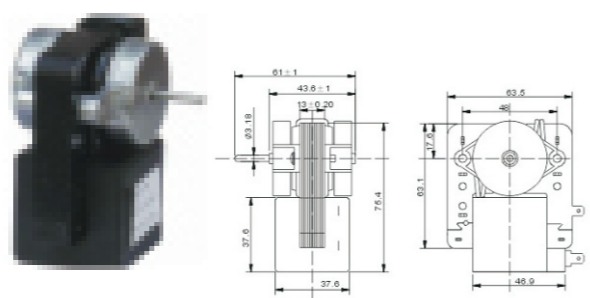
MODEL	VOLTAGE (V)	FREQUENCY (Hz)	CURRENT (A)	INPUT (W)	ROTA TION
YZF-61-10-R-C MA-61103D-ZZ	220	50/60	0.06	6	CW



MODEL	VOLTAGE (V)	FREQUENCY (Hz)	CURRENT (A)	INPUT (W)	ROTA TION
YZF-63.5-13-R-B MSP63513/ZT-CCW	220	50/60	0.11	11	CCW

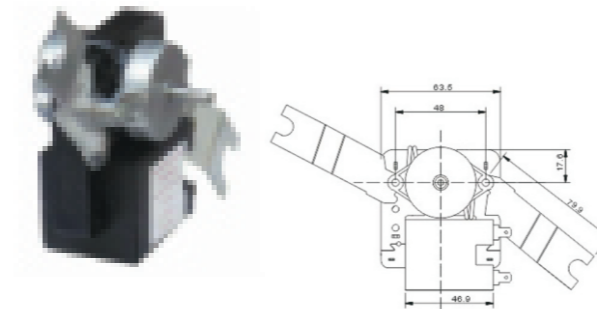


MODEL	VOLTAGE (V)	FREQUENCY (Hz)	CURRENT (A)	INPUT (W)	ROTA TION
YZF-61.8-9-R-C1 NA-09BA	220	50/60	0.08	6.5	CW/CCW
YZF-61.8-9-R-C1 NA-09BA	110	50/60	0.165	6.5	CW/CCW
YZF-61.8-14.5-R-C NA-14AB	220	50/60	0.085	8.5	CCW
YZF-61.8-14.5-R-C NA-14AB	110	50/60	0.16	8.5	CCW
YZF-61.8-17-R-C1 NA-17AB	220	50/60	0.12	12	CCW
YZF-61.8-17-R-C1 NA-09AB	110	50/60	0.2	12	CCW

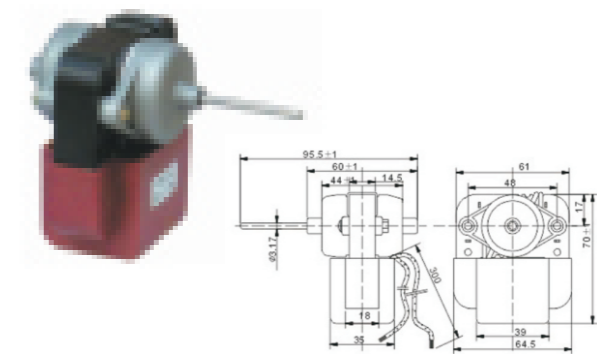


MODEL	VOLTAGE (V)	FREQUENCY (Hz)	CURRENT (A)	INPUT (W)	ROTA TION
YZF-63.5-13-R-B MOTOR NO.2 G1 AF4	220	50/60	0.07	6.5	CCW
MOTOR NO.2 G1 AF4	110	50/60	0.14	6.5	CCW

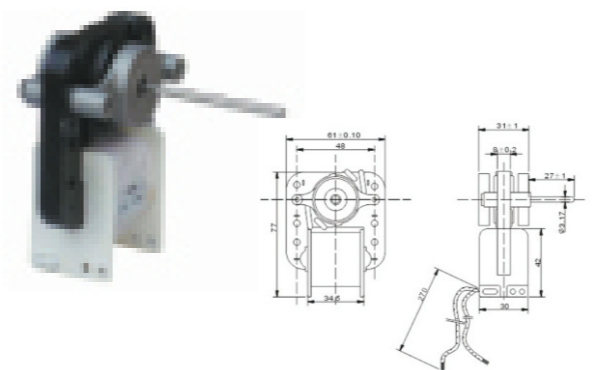
Evaporator Fan Motor



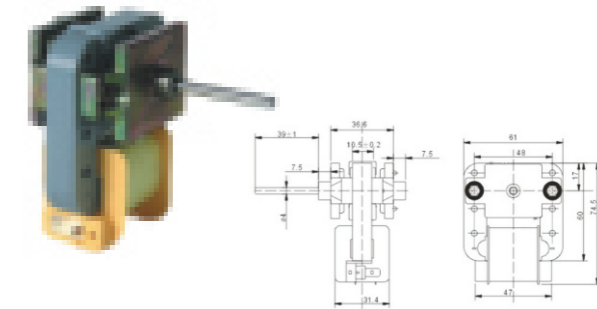
MODEL	VOLTAGE (V)	FREQUENCY (Hz)	CURRENT (A)	INPUT (W)	ROTA TION
YZF-63.5-13-R-B NO.20009075A	220	50/60	0.1	11	CW
NO.20009075A	110	50/60	0.2	11	CW



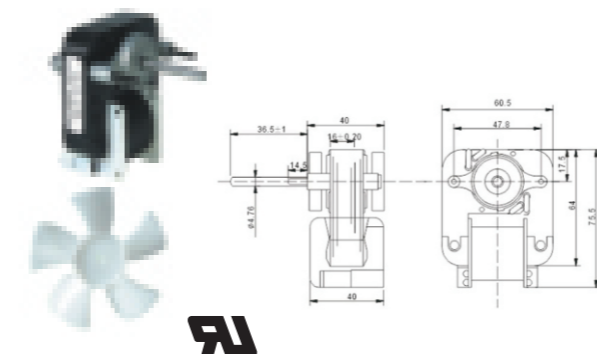
MODEL	VOLTAGE (V)	FREQUENCY (Hz)	CURRENT (A)	INPUT (W)	ROTA TION
YZF-61-14-R-C OSM-13B	220	50/60	0.072	7.5	CCW
OSM-15B	220	50/60	0.126	11.5	CCW



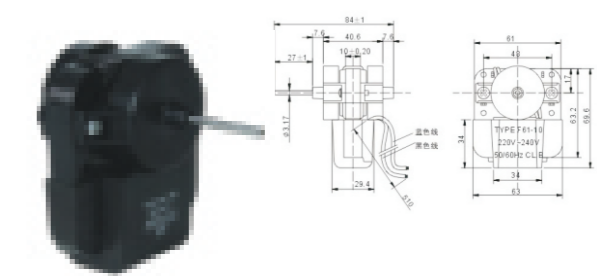
MODEL	VOLTAGE (V)	FREQUENCY (Hz)	CURRENT (A)	INPUT (W)	ROTA TION
YZF-61-8-R-C OS-08	220	50	0.119	9	CCW



MODEL	VOLTAGE (V)	FREQUENCY (Hz)	CURRENT (A)	INPUT (W)	ROTA TION
YZF-61-10.5-R-C RE01WT52	220	50/60	0.085	8	CW
RE-01WQZSE	110	50/60	0.15	8	CW

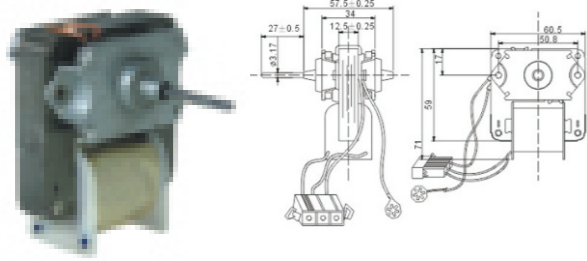


MODEL	VOLTAGE (V)	FREQUENCY (Hz)	CURRENT (A)	INPUT (W)	ROTA TION
YZF-60.5-10.6-R-A SM672	220	50/60	0.32	20	CW/CCW
SM670/YZF-SM670	110	50/60	0.45	20	CW/CCW

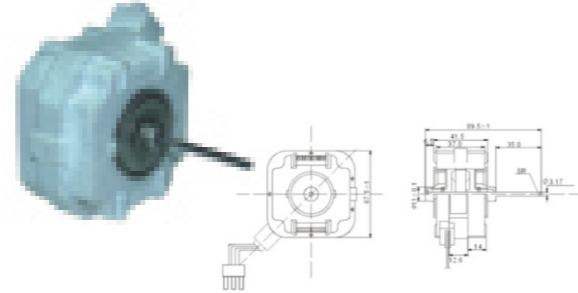


MODEL	VOLTAGE (V)	FREQUENCY (Hz)	CURRENT (A)	INPUT (W)	ROTA TION
YZF-61-10-R-C TYPEF61-10	220	50/60	0.06	7	CW

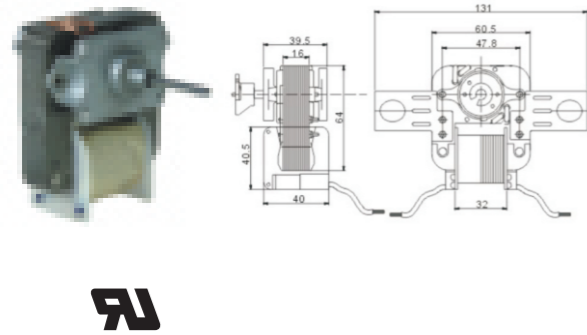
Evaporator Fan Motor



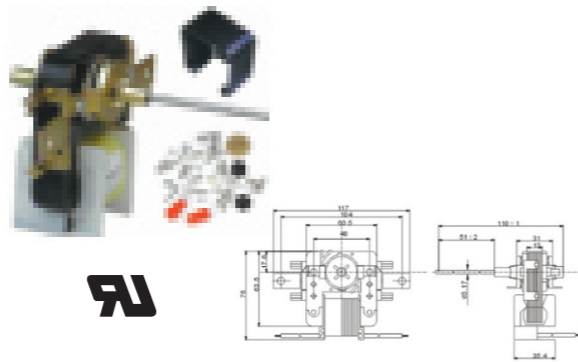
MODEL		VOLTAGE (V)	FREQUENCY (Hz)	CURRENT (A)	INPUT (W)	ROTA TION
YZF-60.5-12.5-R	Y165207	220	50/60	0.1	11	CW
	Y165207	110	50/60	0.18	11	CW



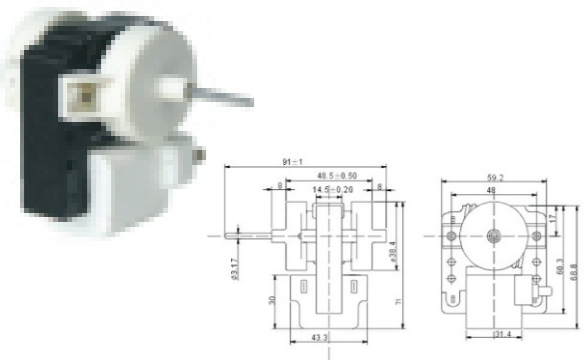
MODEL		VOLTAGE (V)	FREQUENCY (Hz)	CURRENT (A)	INPUT (W)	ROTA TION
YSY-1-4-R		220	50/60	0.025	4.5	CW
		110	50/60	0.15	7	CW



MODEL		VOLTAGE (V)	FREQUENCY (Hz)	CURRENT (A)	INPUT (W)	ROTA TION
YZF-60.5-16-R-A	YZF-SM329	120	60	0.48	20	CW



MODEL		VOLTAGE (V)	FREQUENCY (Hz)	CURRENT (A)	INPUT (W)	ROTA TION
YZF-60.5-13-R-B	YZF-SM999	120	60	0.38	18	CW
	YZF-SM998	240	60	0.2	18	CW



MODEL		VOLTAGE (V)	FREQUENCY (Hz)	CURRENT (A)	INPUT (W)	ROTA TION
YZF-59-14-R	ZYD-Q218(SM102)	220	50/60	0.12	13	CW
	ZYD-Q218(SM102)	110	50/60	0.25	13	CW

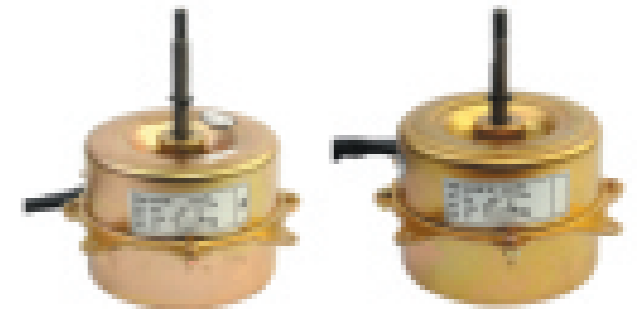
Motor Information



Electric Motor for Air Conditioner

High efficiency, High reliability, Little vibration, Low noise.

Product Name	STYLE	OUTPUT POWER (W)	VOLTAGE (V)	FREQUENCY (HZ)	CURRENT (A)	SPEED (RPM)	NOISE (dB)	CAPACITOR (uF)	INSULATION class
Plastic Sealed Motor (for indoor unit)	YYS15-4	15	220	50/60	0.23	800-1300	<42	1.2uF	B
	YYS20-4	20	220	50/60	0.25	800-1300	<42	1.2uF	B
	YYS25-4	25	220	50/60	0.28	800-1300	<42	1.5uF	B
	YYS30-4	30	220	50/60	0.3	900-1350	<42	2.0uF	B
	YYS35-4	35	220	50/60	0.33	900-1350	<42	2.0uF	B
	YYS40-4	40	220	50/60	0.36	900-1350	<42	2.0uF	B
	YYS50-4	50	220	50/60	0.39	900-1350	<42	2.5uF	B



Electric Motor for Air Conditioner

High efficiency, High reliability, Little vibration, Low noise.

Product Name	STYLE	OUTPUT POWER (W)	VOLTAGE (V)	FREQUENCY (HZ)	CURRENT (A)	SPEED (RPM)	NOISE (dB)	CAPACITOR (uF)	INSULATION class
Iron Shell Motor (for outdoor unit)	YYW15-6	15	220	50/60	0.19	600-800	<42	1.5uF	E
	YYW20-6	20	220	50/60	0.25	650-850	<42	1.5uF	E
	YYW25-6	25	220	50/60	0.32	700-900	<42	2.0uF	E
	YYW30-6	30	220	50/60	0.35	700-900	<42	2.0uF	E
	YYW35-6	35	220	50/60	0.42	700-900	<42	2.0uF	E
	YYW45-6	45	220	50/60	0.45	700-900	<42	2.5uF	E
	YYW50-6	50	220	50/60	0.49	700-900	<42	2.5uF	E
YYW60-6	60	220	50/60	0.55	700-920	<42	3.0uF	E	

Timer Delay



PART NO.	DESCRIPTION
LCM102	Delay On Make Timer (DOM) "ON" Delay on make. Used to Delay Fan Start-up. Prevents rapid cycling of compressor and as a pre-purge on oil and gas systems. Helps reduce power surges in multiple compressor applications.
LCM203	Delay On Break Timer (DOB) "OFF" Delay On Break. Help to protect air conditioning, refrigeration and heat pump equipment from damage which may be caused by the rapid short-cycling of compressors due to momentary loss of power.

- 18-240 VAC/VDC: 1.5Amps, 15 Amps in rush
- Adjustable delays: 0.1-8 minutes

Tape



HK-TA0001

Aluminum Foil



HK-AF0001

Insulation Material



ITEM NAME	DESCRIPTION			QTY/CTN (pcs)	CTN Meas			20FT quantity	40'HQ quantity
	ID (inch)	TK (mm)	Length (m)		L(cm)	W(cm)	H(cm)		
INSULATAION MATERIAL	11/8	9	2	55	203	40	30	110	283
INSULATAION MATERIAL	1/2	9	2	115	203	40	30	110	283
INSULATAION MATERIAL	3/4	9	2	76	203	40	30	110	283
INSULATAION MATERIAL	5/8	9	2	90	203	40	30	110	283
INSULATAION MATERIAL	7/8	9	2	70	203	40	30	110	283

Copper Fittings



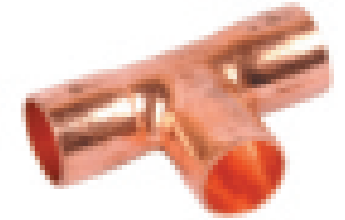
COPPER NUT

1/4, 5/16, 3/8, 5/8, 1/2



90° Welding Elbow

1/4, 5/16, 3/8, 1/2, 3/4, 7/8, 1, 1-1/8, 1-1/4, 1-3/8, 1-5/8



TEE

3/8, 1/2, 5/8, 3/4, 7/8, 1, 1-1/8, 1-3/8, 1-5/8



45° Welding Elbow

1/4, 5/16, 3/8, 1/2, 3/4, 7/8, 1, 1-1/8, 1-1/4, 1-3/8, 1-5/8



STRAIGHT COUPLING

3/8, 1/2, 5/8, 3/4, 7/8, 1, 1-1/8, 1-3/8



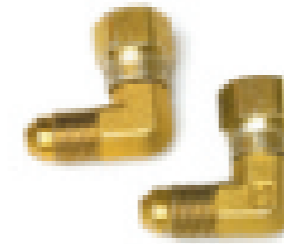
RAC HOLE

0.30, 0.70, 1.00, 1.50, 2.50, 4.00, 5.00TR



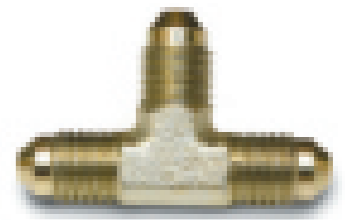
COPPER NUT

1/4, 5/16, 3/8, 5/8, 1/2



MALE ELBOW

1/4x1/8, 1/4x1/8



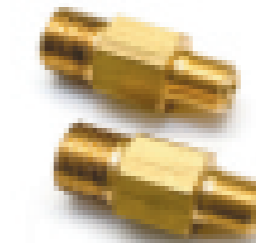
UNION TEE

1/4, 3/8, 1/2, 5/8, 3/4



UNION

1/4, 5/16, 3/8, 5/8, 1/2, 5/8, 3/4

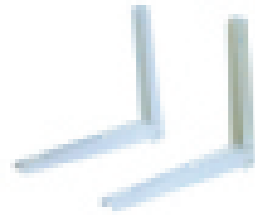


REDULING UNION

5/16x3/8, 3/8x5/16, 1/2x1/4, 1/2x3/8, 5/8x1/4, 5/8x3/8, 5/8x1/2, 3/4x1/2, 3/4x5/8

1/4, 5/16, 3/8, 5/8, 1/2, 5/8, 3/4

Brackets for air conditioner



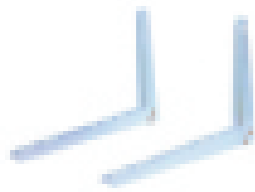
Product description

Code	Article	Steel	Screw	BRACKET (A)	UPRIGHT (B)	CAPACITY	VARNISHED
W032C	Clasp bracket	SGCC	Zinc plated	380mm	400mm	95kg	RAL9002 polyester powder for external thickness80u
W032C	Clasp bracket	SGCC	Zinc plated	480mm	420mm	95kg	
W032C	Clasp bracket	SGCC	Zinc plated	600mm	420mm	180kg	



Product description

Code	Article	Steel	Screw	BRACKET (A)	UPRIGHT (B)	BAR (C)	CAPACITY	VARNISHED
Y013C	Pucker bracket	SGCC	Zinc plated	450mm	400mm	800mm	150kg	RAL9002 polyester powder for external thickness80u
Y014C		SGCC		500mm	400mm	800mm	150kg	
Y015C		SGCC		550mm	400mm	800mm	200kg	
Y016C		SGCC		560mm	460mm	1000mm	200kg	



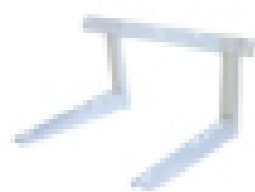
Product description

Code	Article	Steel	Screw	BRACKET (A)	UPRIGHT (B)	CAPACITY	VARNISHED
F017C	Clasp bracket	SPHC	Zinc plated	450mm	400mm	150kg	RAL9002 polyester powder for external thickness80u
F018C	Clasp bracket	SPHC	Zinc plated	500mm	400mm	150kg	
F019C	Clasp bracket	SPHC	Zinc plated	550mm	400mm	200kg	
F020C	Clasp bracket	SPHC	Zinc plated	650mm	460mm	200kg	



Product description

Code	Article	Steel	Screw	BRACKET (A)	UPRIGHT (B)	BAR (C)	CAPACITY	VARNISHED
C055C	Pucker bracket	SGCC	Zinc plated	380mm	400mm	700mm	100kg	Ral9002 polyester
C056C		SGCC		480mm	400mm	700mm	120kg	
C057C		SGCC		620mm	420mm	1000mm	200kg	



Product description

Code	Article	Steel	Screw	BRACKET (A)	UPRIGHT (B)	BAR (C)	CAPACITY	VARNISHED
S033C	Gradienter bracket	SGCC	Zinc plated	400mm	380mm	800mm	100kg	RAL9002 polyester powder for external thickness80u
S034C		SGCC		450mm	380mm	800mm	100kg	
S035C		SGCC		550mm	380mm	800mm	200kg	
S036C		SGCC		600mm	380mm	1000mm	200kg	

Brackets for air conditioner



Product description

Code	Article	Steel	Screw	BRACKET (A)	UPRIGHT (B)	CAPACITY	VARNISHED
W009C	Slide trough bracket	SGCC	Zinc plated	360mm	400mm	70kg	RAL9002 polyester powder for external thickness80u
W010C		SGCC	Zinc plated	450mm	450mm	70kg	
W011C		SGCC	Zinc plated	500mm	500mm	150kg	
W012C		SGCC	Zinc plated	550mm	500mm	150kg	



Product description

Code	Article	Steel	Screw	BRACKET (A)	UPRIGHT (B)	BAR (C)	CAPACITY	VARNISHED
D024C	connect bracket	SGCC	Zinc plated	380mm	400mm	750mm	100kg	RAL9002 polyester powder for external thickness80u
D025C		SGCC		480mm	400mm	750mm	100kg	
D026C		SGCC		550mm	420mm	750mm	200kg	
D027C		SGCC		600mm	500mm	1000mm	200kg	



Product description

Code	Article	Steel	Screw	BRACKET (A)	UPRIGHT (B)	BAR (C)	CAPACITY	VARNISHED
E043C	touchdown bracket	SGCC	Zinc plated	380mm	400mm	850mm	100kg	RAL9002 polyester powder for external thickness80u
E044C		SGCC		480mm	400mm	850mm	100kg	
E045C		SGCC		550mm	400mm	1000mm	200kg	
E046C		SGCC		600mm	400mm	1000mm	200kg	



Product description

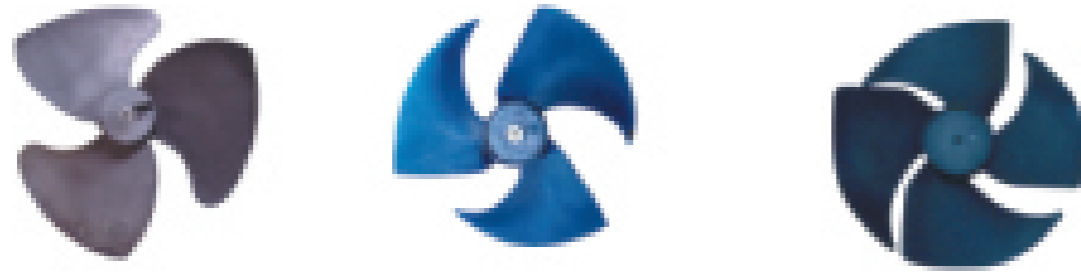
Code	Article	Steel	Screw	BRACKET (A)	UPRIGHT (B)	CAPACITY	VARNISHED
T028C	Bolt connect bracket	SPHC	Zinc plated	380mm	400mm	100kg	RAL9002 polyester powder for external thickness80u
T029C		SPHC	Zinc plated	480mm	400mm	100kg	
T030C		SPHC	Zinc plated	550mm	420mm	200kg	
T031C		SPHC	Zinc plated	600mm	500mm	200kg	



Product description

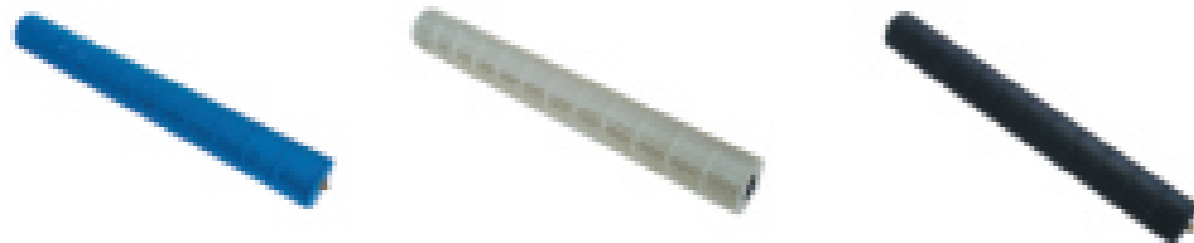
Code	Article	Steel	Screw	BRACKET (A)	UPRIGHT (B)	BAR (C)	CAPACITY	VARNISHED
A021C	Clasp adjust bracket	Zinc plated		380mm	400mm	750mm	100kg	RAL9002 polyester powder for external thickness80u
A022C				480mm	420mm	750mm	200kg	
A023C				600mm	420mm	1000mm	200kg	

Fan Blade For Air Conditioner



Product Name	Model	Material	Color	Diameter (mm)	Height (mm)	Hole Diameter (mm)	Vanes Numbers (pcs)	Weight (g)
Axial Fan Blade	420×148	GFABS	Black	420	148	15	3	655
Axial Fan Blade	450×155	GFABS	Black	450	155	12	4	960
Axial Fan Blade	401×115	GFABS	Blue	401	115	8	3	410
Axial Fan Blade	580×182	GFABS	Black	580	182	15	3	2010
Axial Fan Blade	556×167	GFABS	Black	556	167	15	4	1250
Axial Fan Blade	365×105	GFABS	Black	365	105	8	4	410
Axial Fan Blade	384×136	GFABS	Black	384	136	8	3	450

Propeller Fan Leaves for Air Conditioner



Product Name	Model	Material	Color	Diameter (mm)	Length (mm)	Round Length of stroke (mm)	Vanes Numbers (pcs)	Weight (g)
Propeller Fan Leave	93 series	GFAS	Blue	93	490-734	71.75	35 or 40	depends
Propeller Fan Leave	95 series	GFAS	Black	95	610-850	75.50	35	depends
Propeller Fan Leave	96 series	GFAS	Black	96	574-713	75.50	35 or 41	depends
Propeller Fan Leave	100 series	GFAS	Black	100	250-803	61.00	35	depends
Propeller Fan Leave	102 series	GFAS	Black	102	617-850	70.50	35	depends
Propeller Fan Leave	106 series	GFAS	Black	106	255-704	67.70	35	depends
Propeller Fan Leave	107 series	GFAS	Black	107	617-1014	74.50	35	depends

Air Curtain



Product characteristics

- The entire casing, made from galvanised steel, will never distort and will retain its great appearance throughout use.
- It can be operated either by remote control or the touch of a button.
- Adopting optimized electrical machinery, it operates reliably, and runs safely for 5,000 consecutive hours.
- Strong airflow: extra high airflow capacity to satisfy the requirements of installation in exceptional circumstances.
- Heating type and natural wind type choose at will, one type two choice.
- PTC: High performance constant temperature, and no electricity on surface, lead science and technology, safety and save power.

Model	Dimension		Frequency (Hz)	Voltage (V)	Max input power(W)	Air velocity			Air volume (m3/h)	Noise (Db)
	mm (packing)	mm (product)				H	M	L		
NSP2000-CA09	960×265×280	900×205×210	50/60	110/220/380V	180	11	10	8	960-1120	37-40
NSP2000-CA09Y	960×265×280	900×205×210	50/60	110/220/380V	180	11	10	8	960-1120	37-40
NSP2000-CA10	1060×265×280	1000×205×210	50/60	110/220/380V	200	11	10	8	960-1120	38-41
NSP2000-CA10Y	1060×265×280	1000×205×210	50/60	110/220/380V	200	11	10	8	960-1120	38-41
NSP2000-CA12	1260×265×280	1200×205×210	50/60	110/220/380V	180	11	10	8	1080-1380	40-43
NSP2000-CA12Y	1260×265×280	1200×205×210	50/60	110/220/380V	180	11	10	8	1080-1380	40-43

Model	Dimension		Packing quantity			Weight (Kg)	
	mm (packing)	mm (product)	20GP	40GP	60GP	N.W.	G.W.
NSP2000-CA09	960×265×280	900×205×210	393	780	1000	14.5	16
NSP2000-CA09Y	960×265×280	900×205×210	393	780	1000	14.5	16
NSP2000-CA10	1060×265×280	1000×205×210	355	711	788	15.5	17
NSP2000-CA10Y	1060×265×280	1000×205×210	355	711	788	15.5	17
NSP2000-CA12	1260×265×280	1200×205×210	299	598	663	17.5	19
NSP2000-CA12Y	1260×265×280	1200×205×210	299	598	663	17.5	19

Air Curtain



Product characteristics

- The stainless steel design of the outer casing is easy to clean and has high performance fire protection.
- With a uniquely designed air guide bar, it can produce wind in all directions, working well in various environments.
It can be operated by switch button. It has high, medium and low speed switch functions.
- With a uniquely designed wind flow baffle,
- It can produce wind in all directions, working well in various environments.
- Adopting optimized electrical machinery, it operates reliably, and runs safely for 5,000 consecutive hours.
- Heating type and natural wind type choose at will, one type two choice.
- PTC: High performance constant temperature, and no electricity on surface, lead science and technology, safety and save power.

Model	Dimension		Frequency (Hz)	Voltage (V)	Max input power(W)	Air velocity			Air volume (m3/h)	Noise (Db)
	mm (packing)	mm (product)				H	M	L		
NSP2000-CB09	960×265×280	900×205×210	50/60	110/220-240	180	11	10	8	960-1120	37-40
NSP2000-CB09Y	960×265×280	900×205×210	50/60	110/220-240	180	11	10	8	960-1120	37-40
NSP2000-CB10	1060×265×280	1000×205×210	50/60	110/220-240	200	11	10	8	960-1120	38-41
NSP2000-CB10Y	1060×265×280	1000×205×210	50/60	110/220-240	200	11	10	8	960-1120	38-41
NSP2000-CB12	1260×265×280	1200×205×210	50/60	110/220-240	180	11	10	8	1080-1380	40-43
NSP2000-CB12Y	1260×265×280	1200×205×210	50/60	110/220-240	180	11	10	8	1080-1380	40-43

Model	Dimension		Packing quantity			Weight (Kg)	
	mm (packing)	mm (product)	20GP	40GP	60GP	N.W.	G.W.
NSP2000-CB09	960×265×280	900×205×210	393	780	870	14.3	16
NSP2000-CB09Y	960×265×280	900×205×210	393	780	870	14.3	16
NSP2000-CB10	1060×265×280	1000×205×210	355	711	788	15.5	17
NSP2000-CB10Y	1060×265×280	1000×205×210	355	711	788	15.5	17
NSP2000-CB12	1260×265×280	1200×205×210	299	598	663	17.5	19
NSP2000-CB12Y	1260×265×280	1200×205×210	299	598	663	17.5	19

Air Curtain



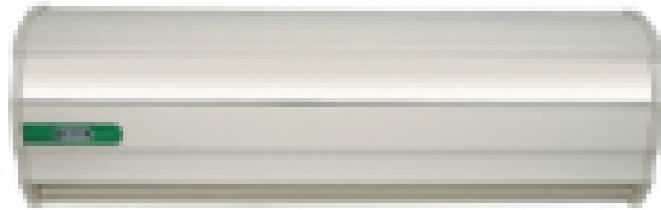
Product characteristics

- Easy to open, convenient design which the cover does not use screws.
- The stainless cover is made from high-strength aluminum and engineering plastics.
The ingeniously designed casing is 40% lighter than normal machines, suiting installation over glass doors.
- With a uniquely designed air guide bar, it can produce wind in all directions, working well in various environments.
- It can be operated either by remote control or at the touch of a button.
It has high, medium, and low speed switch functions.
- Adopting optimized electrical machinery;
it operates reliably, and runs safely for 5,000 consecutive hours.
- 600mm, 900mm, 1000mm, 1200mm, 1500mm, various specifications match at will.
- Filter and negative ion can be chosen at will, close heart and environmental protection, the air is cleaner and delightfully fresh.

Model	Dimension		Frequency (Hz)	Voltage (V)	Max input power(W)	Air velocity			Air volume (m3/h)	Noise (Db)
	mm (packing)	mm (product)				H	M	L		
NSP2000-DA09	960×260×290	900×235×207	50/60	110/220/380V	300	16	13	9	1260-1590	53-58
NSP2000-DA09Y	960×260×290	900×235×207	50/60	110/220/380V	300	16	13	9	1260-1590	53-58
NSP2000-DA10	1060×260×290	1000×235×207	50/60	110/220/380V	300	16	13	9	1260-1590	53-58
NSP2000-DA10Y	1060×260×290	1000×235×207	50/60	110/220/380V	300	16	13	9	1260-1590	53-58
NSP2000-DA12	1260×260×290	1200×235×207	50/60	110/220/380V	400	16	13	9	1680-2120	55-60
NSP2000-DA12Y	1260×260×290	1200×235×207	50/60	110/220/380V	400	16	13	9	1680-2120	55-60
NSP2000-DA15	1560×260×290	1500×235×207	50/60	110/220/380V	500	16	13	9	2100-2650	57-63
NSP2000-DA15Y	1560×260×290	1500×235×207	50/60	110/220/380V	500	16	13	9	2100-2650	57-63

Model	Dimension		Packing quantity			Weight (Kg)	
	mm (packing)	mm (product)	20GP	40GP	60GP	N.W.	G.W.
NSP2000-DA09	960×260×290	900×235×207	379	759	840	14.5	15.5
NSP2000-DA09Y	960×260×290	900×235×207	379	759	840	14.5	15.5
NSP2000-DA10	1060×260×290	1000×235×207	343	687	761	16	17.5
NSP2000-DA10Y	1060×260×290	1000×235×207	343	687	761	16	17.5
NSP2000-DA12	1260×260×290	1200×235×207	289	578	640	18	20
NSP2000-DA12Y	1260×260×290	1200×235×207	289	578	640	18	20
NSP2000-DA15	1560×260×290	1500×235×207	233	467	517	23.5	26
NSP2000-DA15Y	1560×260×290	1500×235×207	233	467	517	23.5	26

Air Curtain



- Heating type and natural wind type choose at will, one type two choice.
- PTC: High performance constant temperature, and no electricity on surface, lead science and technology, safety and save power.

Model	Dimension		Frequency (Hz)	Voltage (V)	Max input power(W)	Air velocity			Air volume (m3/h)	Noise (Db)
	mm (packing)	mm (product)				H	M	L		
NSP2000-DB09	960×260×290	900×260×210	50/60	110/220/380V	300	16	13	9	1260-1600	53-58
NSP2000-DB09Y	960×260×290	900×260×210	50/60	110/220/380V	300	16	13	9	1260-1600	53-58
NSP2000-DB10	1060×260×290	1000×260×210	50/60	110/220/380V	300	16	13	9	1260-1600	53-58
NSP2000-DB10Y	1060×260×290	1000×260×210	50/60	110/220/380V	300	16	13	9	1260-1600	53-58
NSP2000-DB12	1260×260×290	1200×260×210	50/60	110/220/380V	400	16	13	9	1680-2150	55-60
NSP2000-DB12Y	1260×260×290	1200×260×210	50/60	110/220/380V	400	16	13	9	1680-2150	55-60
NSP2000-DB15	1560×260×290	1500×260×210	50/60	110/220/380V	500	16	13	9	2100-2650	57-63
NSP2000-DB15Y	1560×260×290	1500×260×210	50/60	110/220/380V	500	16	13	9	2100-2650	57-63

Model	Dimension		Packing quantity			Weight (Kg)	
	mm (packing)	mm (product)	20GP	40GP	60GP	N.W.	G.W.
NSP2000-DB09	960×260×290	900×260×210	379	759	840	14.5	15.5
NSP2000-DB09Y	960×260×290	900×260×210	379	759	840	14.5	15.5
NSP2000-DB10	1060×260×290	1000×260×210	343	687	761	16	17.5
NSP2000-DB10Y	1060×260×290	1000×260×210	343	687	761	16	17.5
NSP2000-DB12	1260×260×290	1200×260×210	289	578	640	18	20
NSP2000-DB12Y	1260×260×290	1200×260×210	289	578	640	18	20
NSP2000-DB15	1560×260×290	1500×260×210	233	467	517	23.5	26
NSP2000-DB15Y	1560×260×290	1500×260×210	233	467	517	23.5	26

Air Curtain



Product characteristics

- Easy to open, convenient design which the cover does not use screws.
- The stainless cover is made from high-strength aluminum and engineering plastics. The ingeniously designed casing is 40% lighter than normal machines, suiting installation over glass doors.
- With a uniquely designed air guide bar, it can produces wind in all directions, working well in various environments.
- It can be operated either by remote control or at the touch of a button. It has high medium, and low speed switch functions.
- Adopting optimized electrical machinery; it operates reliably, and runs safely for 5,000 consecutive hours.
- 600mm, 900mm, 1000mm, 1200mm, 1500mm, various specifications match at will.
- Fliter and negative ion can be choosing at will, close heart and environmental protection, the air is cleaner and delightfully fresh.

Model	Dimension		Frequency (Hz)	Voltage (V)	Max input power(W)	Air velocity			Air volume (m3/h)	Noise (Db)
	mm (packing)	mm (product)				H	M	L		
NSP2000-DA09	960×260×290	900×235×207	50/60	110/220/380V	300	16	13	9	1260-1590	53-58
NSP2000-DA09Y	960×260×290	900×235×207	50/60	110/220/380V	300	16	13	9	1260-1590	53-58
NSP2000-DA10	1060×260×290	1000××235×207	50/60	110/220/380V	300	16	13	9	1260-1590	53-58
NSP2000-DA10Y	1060×260×290	1000××235×207	50/60	110/220/380V	300	16	13	9	1260-1590	53-58
NSP2000-DA12	1260×260×290	1200××235×207	50/60	110/220/380V	400	16	13	9	1680-2120	55-60
NSP2000-DA12Y	1260×260×290	1200××235×207	50/60	110/220/380V	400	16	13	9	1680-2120	55-60
NSP2000-DA15	1560×260×290	1500××235×207	50/60	110/220/380V	500	16	13	9	2100-2650	57-63
NSP2000-DA15Y	1560×260×290	1500××235×207	50/60	110/220/380V	500	16	13	9	2100-2650	57-63

Model	Dimension		Packing quantity			Weight (Kg)	
	mm (packing)	mm (product)	20GP	40GP	60GP	N.W.	G.W.
NSP2000-DA09	960×260×290	900×235×207	379	759	840	14.5	15.5
NSP2000-DA09Y	960×260×290	900×235×207	379	759	840	14.5	15.5
NSP2000-DA10	1060×260×290	1000××235×207	343	687	761	16	17.5
NSP2000-DA10Y	1060×260×290	1000××235×207	343	687	761	16	17.5
NSP2000-DA12	1260×260×290	1200××235×207	289	578	640	18	20
NSP2000-DA12Y	1260×260×290	1200××235×207	289	578	640	18	20
NSP2000-DA15	1560×260×290	1500××235×207	233	467	517	23.5	26
NSP2000-DA15Y	1560×260×290	1500××235×207	233	467	517	23.5	26

Air Conditioner



Main Features:

1. Product is used with world famous brand rotary type compressor (TOSHIBA, HITACHI, SANYO,PANASONIC)
2. Product is used with hydrophilic Fins & inner threads copper Tube
3. Panel have fashionable VFD digital temperature display
4. Product have function of Self-diagnose capability, error code showing
5. Product have function of Auto-defrosting, Energy saving, Quiet operation.
6. R22, R407C, R410A are available, suitable for different market.
7. Product have function of Sleep mode. Long distance remote control.
8. We used advanced raw material to gurantee excellent quality of product.

Model	9000BTU	12000BTU	18000BTU	24000BTU
Cooling capacity (BTU/W)	9000/2500	12000/3500	18000/5000	24000/7000
Heating capacity (BTU/W)	9000/2650	12000/3800	18000/5100	24000/7100
Power supply	220V/50HZ, 220V/60HZ	220V/50HZ, 220V/60HZ	220V/50HZ, 220V/60HZ	220V/50HZ, 220V/60HZ
Input Power Cooling (W)	910	1270	1890	2650
Input Power Heating (W)	890	1230	1750	2470
Air flow volume (m ³ /h)	400	580	800	1150
Dehumify capacity (kg/h)	1.3	1.33	2.55	3.2
Noise (dB) (Indoor)	≤32	≤36	≤41	≤43
Noise (dB) (Outdoor)	≤51	≤51	≤53	≤60
Indoor Net Weight (kg)	9	10	16	16
Outdoor Net Weight (kg)	24	34	41	55
Packing Dimension (cm) (Indoor)	84×31×22	93×34×23	105×36×24	105×36×24
Packing Dimension (cm) (Outdoor)	72×32×55	86×34×60	86×34×60	92×40×75
Loading capacity	350	270	235	175
Refrigerant	R22, R407c, R410A	R22, R407c, R410A	R22, R407c, R410A	R22, R407c, R410A

Condensing Unit



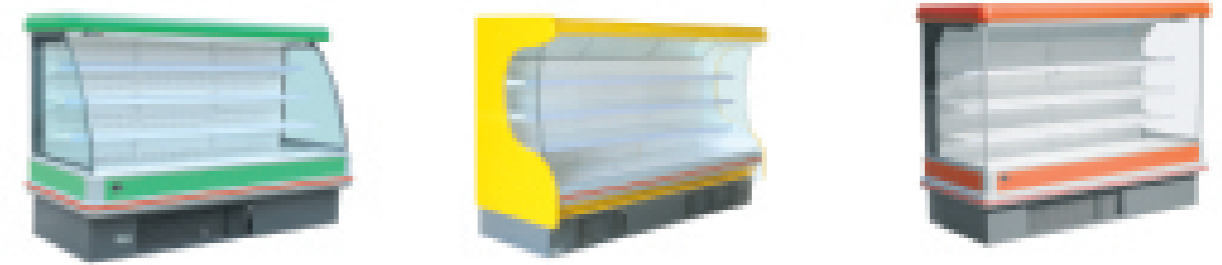
Model (outdoor unit)		HKCO-36CR	HKCO-48CR	HKCO-60CR	
Power supply	V-Hz -Ph	208~230-60-1 220-240-50-1	208~230-60-1 220-240-50-1	208~230-60-1 220-240-50-1	
Cooling/Heating	Capacity	Btu/h	36000	48000	60000
	Power input	W	3600	4680	5500
Max. current	A	26	32	39	
Starting current	A	110	130	151	
Compressor	Model	C-SB281H6B	C-SB301H6B	C-SB351H6A	
	Type/Brand	scroll/SANYO	scroll/SANYO	scroll/SANYO	
	Capacity	Btu/h	37000.00	49474	56980
Outdoor fan motor	Model	YDK-145-6M	YDK165-6M	YDK165-6M	
	Input	W	363.00	363.00	363.00
	Speed	r/min	880.00	880.00	880.00
Outdoor coil	Number of circuits	6.00	6	6	
	Tube O.D and type	mm	9.53	9.53	9.53
			Inner groove tube	Inner groove tube	Inner groove tube
Outdoor air flow	m ³ /h	5000.00	5300	5600	
Outdoor noise level	dB(A)	<63	<65	<66	
Dimensions	Bady (WxDxH)	mm	740×740×852	740×740×852	740×740×852
	Packing (WxDxH)	mm	770×770×890	770×770×890	770×770×890
Net/Gross weight	kg	0.95	88/93	92/97	
Refrigerant piping	Liquid side/ Gas side	mm	Φ12.7/Φ19	Φ12.7/Φ19	Φ12.7/Φ19
	Max. refrigerant pipe length	m	30.00	30.00	30.00
stuffing Qty (20'/40'/40HQ)	pieces	42/90/135	42/90/135	42/90/135	

Cassette Unit



Model (indoor unit)			HKCA-36CR	HKCA-48CR	HKCA-60CR
Power supply	V-Hz -Ph		208~230-60-1 220-240-50-1	208~230-60-1 220-240-50-1	208~230-60-1 220-240-50-1
Cooling	Capacity	Btu/h	36000	48000	60000
	Power input	W	3500	4680	5500
	Rated current	A	19.80	22.3	25.6
	EER	Btu/w.h	10.5	10.3	10.9
Heating	Capacity	Btu/h	36000	48000	60000
	Power input	W	3500	4680	5500
	Rated current	A	19.80	22.3	25.6
	EER	Btu/w.h	10.5	10.3	10.9
Motor Power			1.60	1.86	2.10
Air flow volume	m3/h		2000.00	2800.00	3600.00
Dimension	mm		835×835×280	835×835×280	870×870×310
Packing Dimension	mm		900×900×310	900×900×310	940×940×330
Weight (N.W./G.W.)	kg		28/30	33/36	34/37
Noise	dB(A)		<45	<48	<52
Refrigerant Pipe (Liquid/Gas)	mm		Φ9.52/Φ19	Φ9.52/Φ19	Φ12.07/Φ19

Wall Display Cabinet



MODEL	MODEL	DIMENSION (L×W×H)mm	CAPACITY(L)	DISPLAY AREA(m2)	POWER	TEMP(°C)
12FR SERIES WALL DISPLAY CABINET	12FR-A1-2.0M	2000×1080×2100	1500	5	220V/380V/50HZ	2~10
	12FR-A1-2.5M	2500×1080×2100	1800	6.5	220V/380V/50HZ	2~10
11FG SERIES HALF WALL DISPLAY CABINET	11FG-C-2.0M	2000×1080×1850	1400	5	220V/380V/50HZ	2~10
	11FG-C-2.5M	2500×1080×1850	1600	6	220V/380V/50HZ	2~10
	11FG-C-3.0M	3000×1080×1850	1800	7.5	220V/380V/50HZ	2~10
	11FG-C-3.75M	3750×1080×1850	2100	9.5	220V/380V/50HZ	2~10
	11FG-C-4.0M	4000×1080×1850	2200	10	220V/380V/50HZ	2~10
	11FG-C-4.5M	4500×1080×1850	2400	11	220V/380V/50HZ	2~10
	11FG-C-5.0M	5000×1080×1850	2600	12.5	220V/380V/50HZ	2~10

Island Freezer Plug-in(R404)

1. Compare with traditional island freezer, it save energy;
2. Plug and play, you just prepare 220V power source to use;
3. Various combinations according to requirements of area;
4. Automatic defrost system;
5. Particular partition fence and base can meet various different display result. "



Model NO.	Model outside measurement	Packing measurement	Container Load		
			20GP	40GP	40HQ
HK-ZH1 main	2120×873×833	2260×1013×973	10	20	20
HK-ZH2 tip	1874×873×833	2014×1013×973	10	22	22

Model NO.	Temperature (°C)	Defrost system	Voltage	Power rating(W)	Compressor	condenser	Cooling type	Close style	Wheel	Inwall material
HK-ZH1 main	≤-18	automatic	220V/60Hz	650	DANFOSS	EBM	Direct cooling	push and pull	4 stabilizer blades	Ginning aluminum sheet
HK-ZH2 tip	≤-18	automatic	220V/60Hz	650	DANFOSS	EBM	Direct cooling	push and pull	4 stabilizer blades	

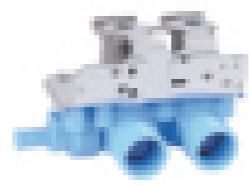
Drain Pump Of Washing Machine



HK-DP0004



HK-DP0008



HK-DP0008



HK-DP0107



HK-DP0012



HK-DP0013

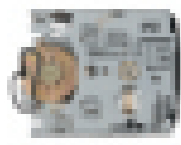


HK-DP0120



HK-DP0011

Washing machine Timer



HK-TM0034



HK-TM0038



HK-TM0041



HK-TM0043



HK-TM0044



HK-TM0061



HK-TM0063



HK-TM0064



HK-TM0065



HK-TM0068



HK-TM0085



HK-TM0093



HK-TM0096



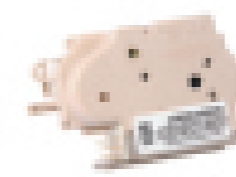
HK-TM0097



HK-TM0103



HK-TM0130



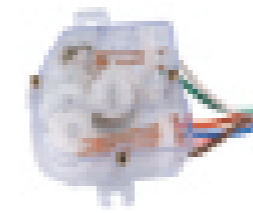
HK-TM0132



HK-TM0093



HK-TM0095



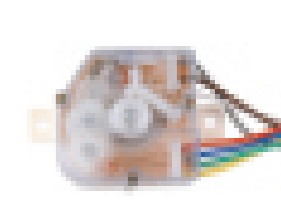
HK-TM0096



HK-TM0097



HK-TM0098



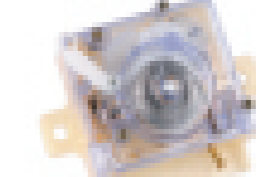
HK-TM0100



35-HK-TM



HK-TM0103



HK-TM0104



HK-TM0109



HK-TM0105



HK-TM0106



HK-TM0107



HK-TM0108



HK-TM0035

Washing machine Dryer Motor



HK-DM0024



HK-DM0028



HK-DM0023



HK-DM0048



HK-DM0064



HK-DM0063



HK-DM0065



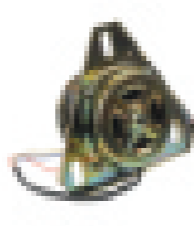
HK-DM0151



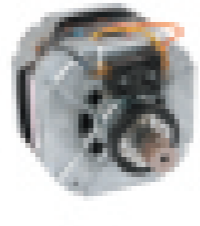
HK-DM0161



HK-DM0016



HK-DM0063



HK-DM0036



HK-DM0040



HK-DM0074



HK-DM0075



HK-DM0082

Washing machine Reducer



HK-RE0038



HK-RE0039



HK-RE0040



HK-RE0041



HK-RE0042



HK-RE0043



HK-RE0044



HK-RE0045



HK-RE0046



HK-RE0047



HK-RE0112



HK-RE0113



HK-RE0114



HK-RE0116



HK-RE0117



HK-RE0118



HK-RE0119



HK-RE0120

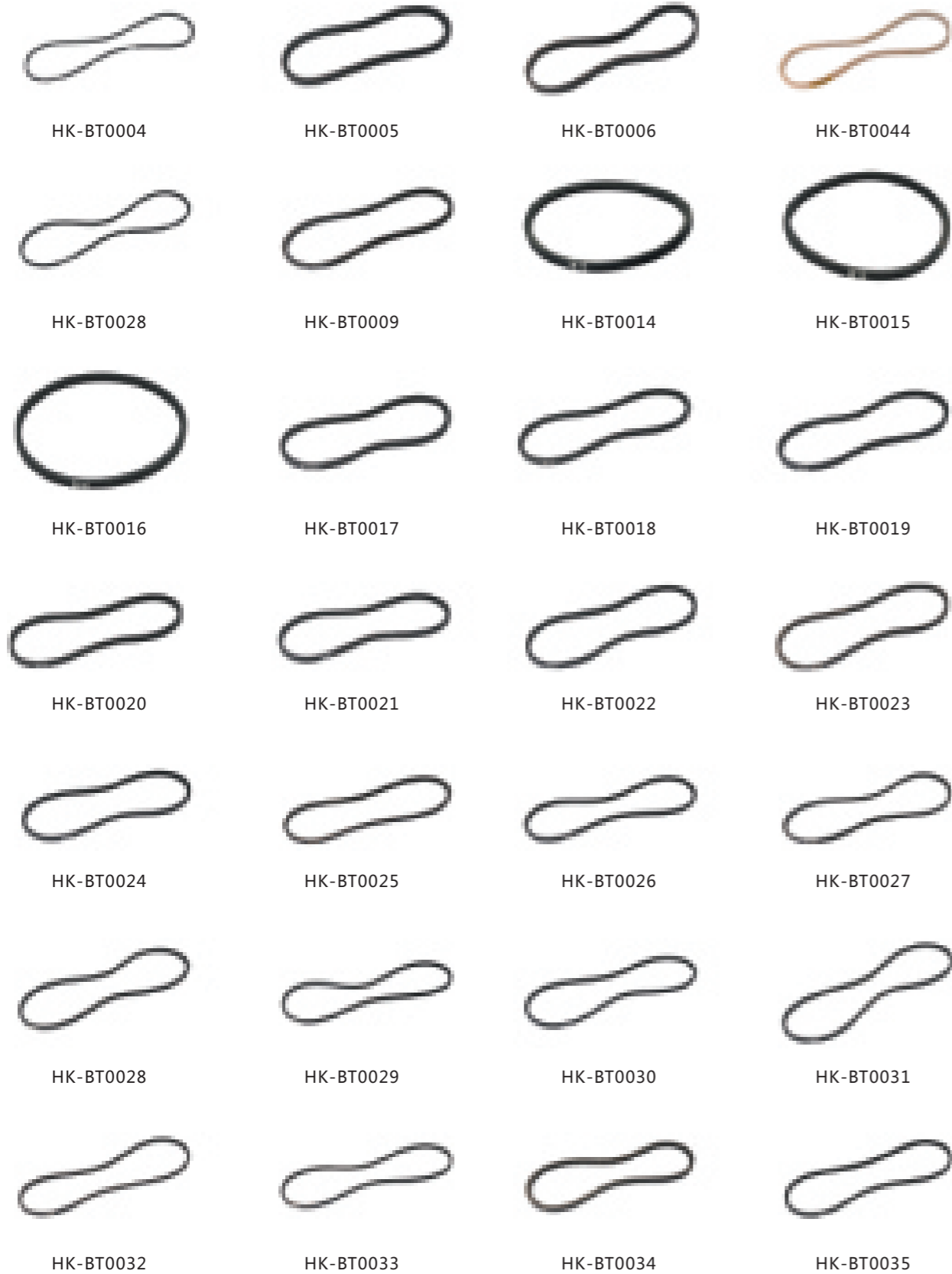


HK-RE0121



HK-RE0112

Washing machine Belt



Washing machine Rubber Bowl

