



# LED Flood Light Series

## PRODUCT SPECIFICATION

**OUTDOOR LIGHTING**





## Features:

- 1, The material of light body is high strength alloy, its shock resistance and face coat ensure it work for longtime during high frequency and high temperature environment.
- 2, with solid lighting source, it is safe, durable and stable. High power LED fixed on the base of heatsink directly, improved its heat dissipation.
- 3, Chose high lumen well-known brand COB LED, it is high thermal conductivity, low light decay, high luminous efficiency, pure light, stable quality etc.
- 4, Color Temp. could be choose from: DW:5700-6300K, WW:2800-3200K, NW: 3500-5000K, suitable to different situation.
- 5, more than 85% energy saving than traditional halogen lamp; uniform lighting and pure color temp.
- 6, 50,000hrs long lifespan, it is 15 times than halogen lamp.
- 7, designed lightning protection, overcurrent protection, overvoltage protection, short-circuit protection.
- 8, environmentally, without harmful subject, such as Lead, Mercury etc.
- 9, Convenient installation, could replace traditional halogen lamp directly.
- 10, Different ways of installation: wall mounting type and suspension type. The lighting angle is adjustable  $\pm 120^\circ$  according to your request.

## Application:

- 1, replace traditional halogen lamp directly.
- 2, mainly used as building lighting, historical building lighting, landscape lighting, billboard lighting, lighting of entertainment site etc.
- 3, Suitable to various place, such as: building, signs, park, plaza, station, airport, lawn, courtyard, factory, mall, street, various playfield etc.

## Parameters

Item	Details
Input Voltage	AC100-240V
Power Factor	$\geq 0.9$ PF
Beam Angle	120°
Casing Material	Aluminum
Working Temp.	-20~40°C
Lifespan	50000H
IP Grade	IP65
Color Temp.	DW: 6000-6500K NW: 4000-4500K WW: 2800-3200K
Packing Way	Inner white box + outer carton box

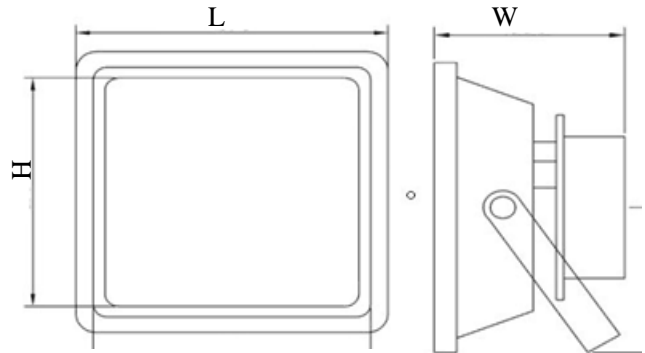


## Flood Light FL-C601 Series

### Product Picture



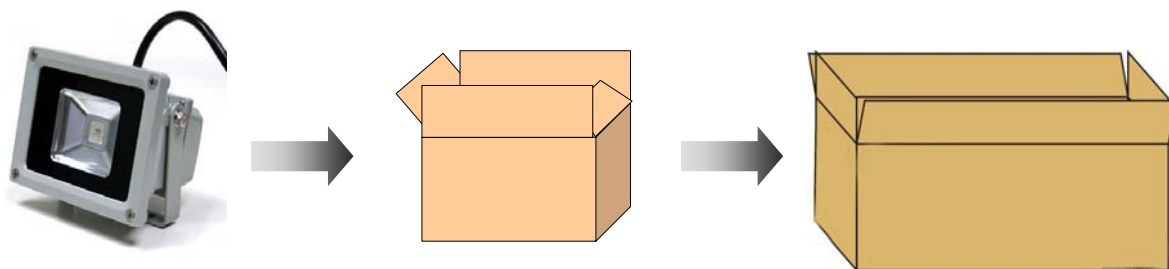
### Dimensional Drawing



### Parameters

Item NO.	Power Consumption	Luminous Flux	Size (mm)		
			L	W	H
HMY-FL-C601-10W	10W ± 10%	750-850LM	116	80	87
HMY-FL-C601-20W	20W ± 10%	1500-1700LM	181	113	142
HMY-FL-C601-30W	30W ± 10%	2250-2550LM	228	124	188
HMY-FL-C601-50W	50W ± 10%	3750-4250LM	286	137	236

### Packing Details



Item NO.	Net Weight (g)/pcs	Qty (PCS) /carton box	Gross Weight(kg) /carton box	Carton Box Size (mm)
HMY-FL-C601-10W	534	24	18	268*309*436
HMY-FL-C601-20W	1175	12	20	398*320*429
HMY-FL-C601-30W	1816	6	16	252*612*312
HMY-FL-C601-50W	2818	4	17	310*508*338

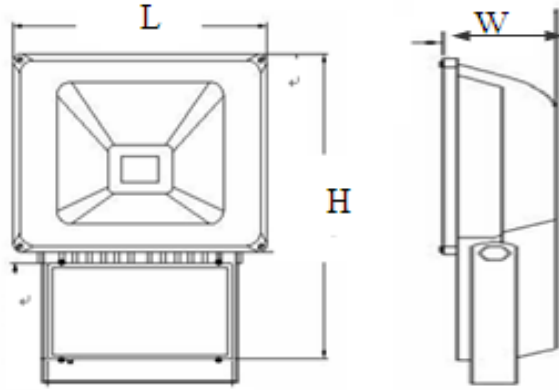


## Flood Light FL-C603 Series

### Product Picture



### Dimensional Drawing



### Parameters

Item NO.	System Power	Luminous Flux	Size (mm)		
			L	W	H
HMY-FL-C603-80W	80W ± 10%	6000-6800LM	290	114	368
HMY-FL-C603-100W	100W ± 10%	7500-8500LM	290	114	368

### Packing Details



Item NO.	Net Weight (g)/pcs	Qty (PCS) /carton box	Gross Weight(kg) /carton box	Carton Box Size (mm)
HMY-FL-C603-80W	5786	1	6.5	438*350*170
HMY-FL-C603-100W	5790	1	6.6	438*350*170

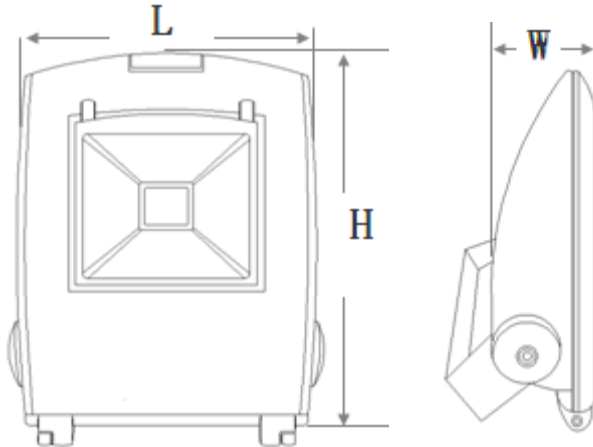


## Flood Light FL-C604 Series

### Product Picture



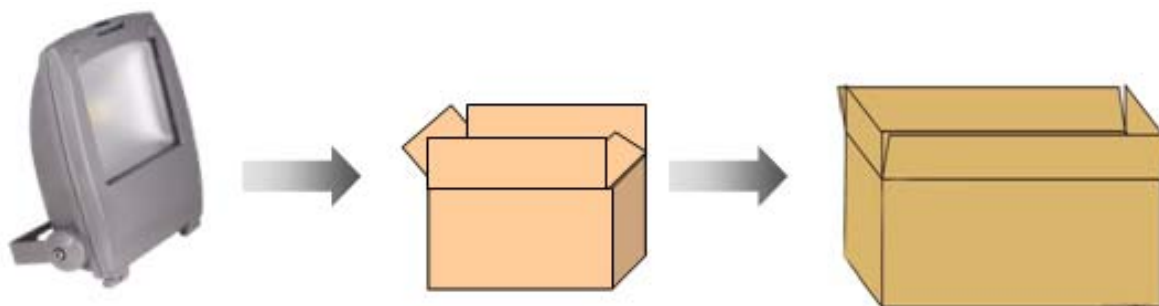
### Dimensional Drawing



### Parameters

Item NO.	Power Consumption	Luminous Flux	Size (mm)		
			L	W	H
HMY-FL-C604-10W	10W ± 10%	750-850LM	175	52	182
HMY-FL-C604-20W	20W ± 10%	1500-1700LM	248	77	290
HMY-FL-C604-30W	30W ± 10%	2250-2550LM	248	77	290
HMY-FL-C604-50W	50W ± 10%	3750-4250LM	327	100	358
HMY-FL-C604-70W	70W ± 10%	5250-5950LM	327	100	358

### Packing Details



Item NO.	Packing Way	Net Weight (g)/pcs	Qty (PCS) /carton box	Gross Weight(kg) /carton box	Carton Box Size (mm)
HMY-FL-C604-10W	Inner white box + outer carton box	840g	12PCS	14	402*362*168
HMY-FL-C604-20W		1899g	8PCS	19	652*508*308
HMY-FL-C604-30W		1900g	8PCS	19	652*508*308
HMY-FL-C604-50W		3427g	4PCS	17	417*343*524
HMY-FL-C604-70W		3432g	4PCS	18	417*343*524

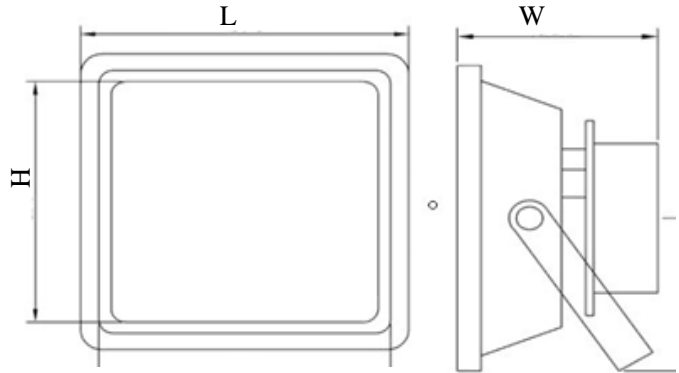


## Flood Light FL-C606 Series

### Product Picture



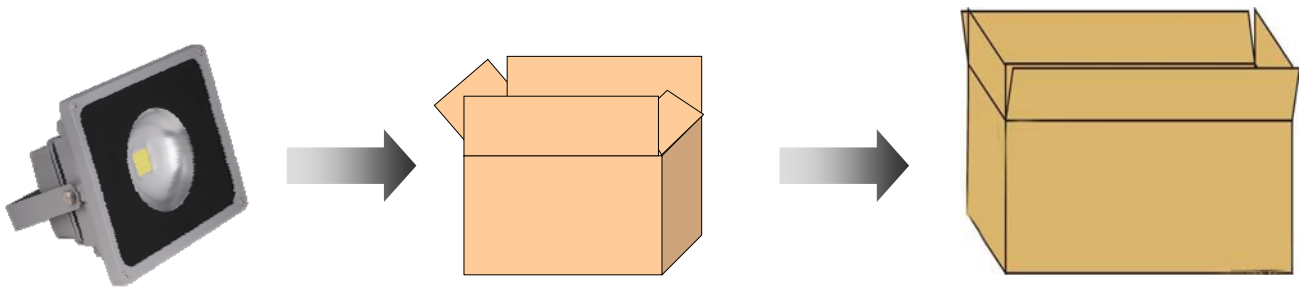
### Dimensional Drawing



### Parameters

Item NO.	Power Consumption	Luminous Flux	Size (mm)		
			L	W	H
HMY-FS-C606-10W	10W ± 10%	750-850LM	116	80	87
HMY-FS-C606-20W	20W ± 10%	1500-1700LM	181	113	142
HMY-FS-C606-30W	30W ± 10%	2250-2550LM	228	124	188
HMY-FS-C606-50W	50W ± 10%	3750-4250LM	286	137	236

### Packing Details



Item NO.	Net Weight (g)/pcs	Qty (PCS) /carton box	Gross Weight(kg) /carton box	Carton Box Size (mm)
HMY-FS-C606-10W	534	24	18	268*309*436
HMY-FS-C606-20W	1175	12	20	398*320*429
HMY-FS-C606-30W	1816	6	16	252*612*312
HMY-FS-C606-50W	2818	4	17	310*508*338

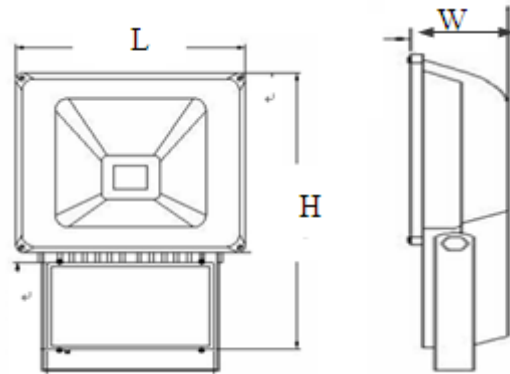


## Flood Light FL-C607 Series

### Product Picture



### Dimensional Drawing



### Parameters

Item NO.	Power Consumption	Luminous Flux	Size (mm)		
			L	W	H
HMY-FL-C607-80W	80W ± 10%	6000-6800LM	290	114	368
HMY-FL-C607-100W	100W ± 10%	7500-8500LM	290	114	368

### Packing Details

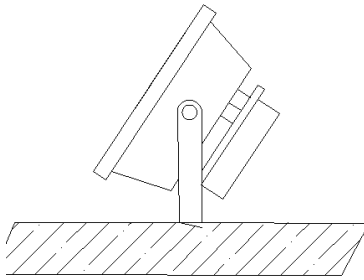


Item NO.	Net Weight (g)/pcs	Qty (PCS) /carton box	Gross Weight(kg)	Carton Box Size (mm)
HMY-FL-C607-80W	5786	1	6.5	438*350*170
HMY-FL-C607-100W	5786	1	6.6	438*350*170

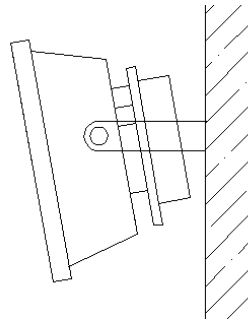




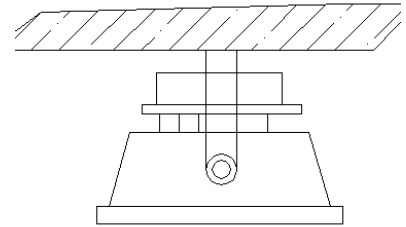
## Installation Way



Vertical type

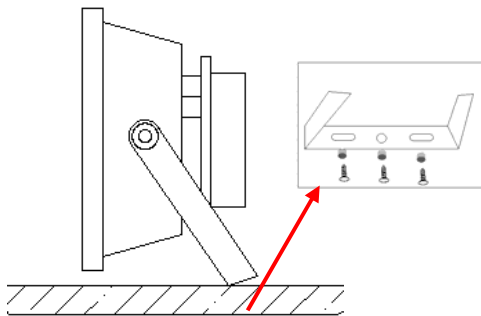


wall mounting type

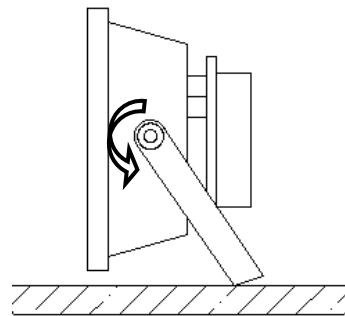


suspension type

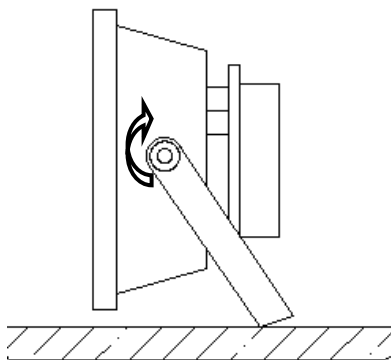
## Installation Direction



Step 1: Fix the lamp with 3 screws (please make sure the position is vibrationless, durable to 10 times weight of the item.)



Step 2: Unscrew the screws at the 2 sides of light, adjust lamp to the right lighting angle.



Step 3: Screw down the screws.



Step 4: Connect power supply cord rightly:  
brown wire—L  
blue wire—N  
yellow wire--E



**Attn: Please cut off electricity while installation**





## Attention

- 1, the IP Grade and working environment is stated in the above form, please ensure it is working under right condition.
- 2, Please cut off the electrics while installing, and make sure its input voltage is right. The wrong input voltage would damage the light permanently.
- 3, The system electrics should be cut off during installation and maintenance, wiring as the instruction.
- 4, Design the power distribution according to the whole system power consumption.
- 5, Please check if the product is under good condition when open the carton box. Please stop to use it and contact us, if the product is damaged during the shipment.
- 6, Please do not turn on soon if the environment temperature greatly changed, it would be damaged by hot steam. The product could work while lamp reached room temperature.
- 7, Please make sure its installation site and fix subject are durable to 10 times weight of the item. Installation site should be no shake, no swing and no firetrap.
- 8, Please follow the above note to make sure item is under good condition and safe to use. We hold no liability for your violate using product.
- 9, When high watt LED work, the temperature of lampshade would reach 45°C, please remind the subject near it. The work temperature higher than 40°C would short its lifespan, please leave the item far away from heating unit. The working environment at 0°C-25°C, would make its lifespan longer.

## After Service

Our products provide **3** years warranty, that is based on the normal using conditions, the right storage, installation, usage and maintenance way. It has exceeded our warranty if product was broken down due to unfit installation or against our directions. For the problematic item within our warranty time, the solution is fixing, exchange parts or change into a new one, reasonable charges would be collected if item exceeded warranty time.

Warranty Time: within 3 years since delivery.