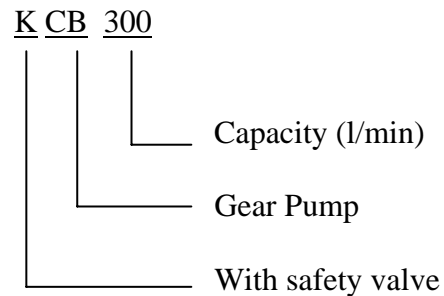
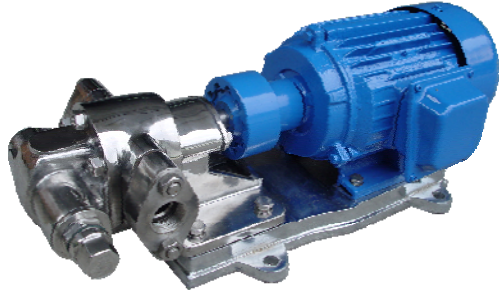


Gear Pump

KCB Series Oil Gear Pump



Usage :

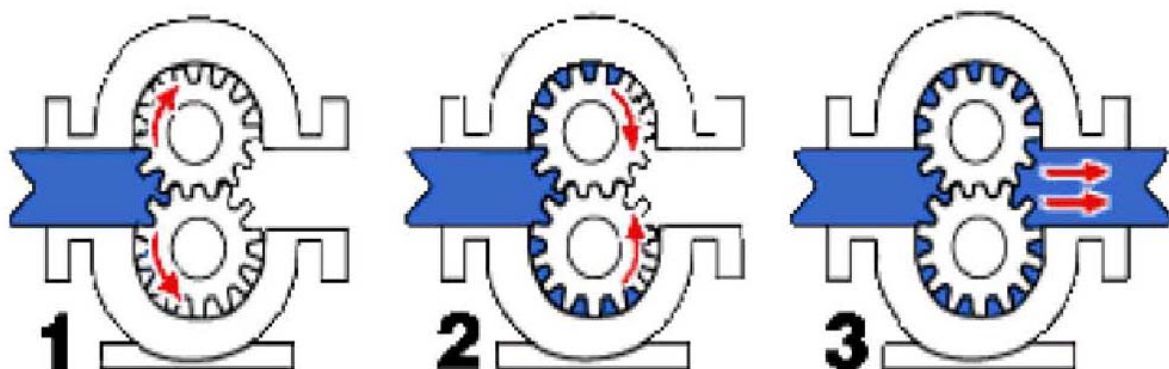
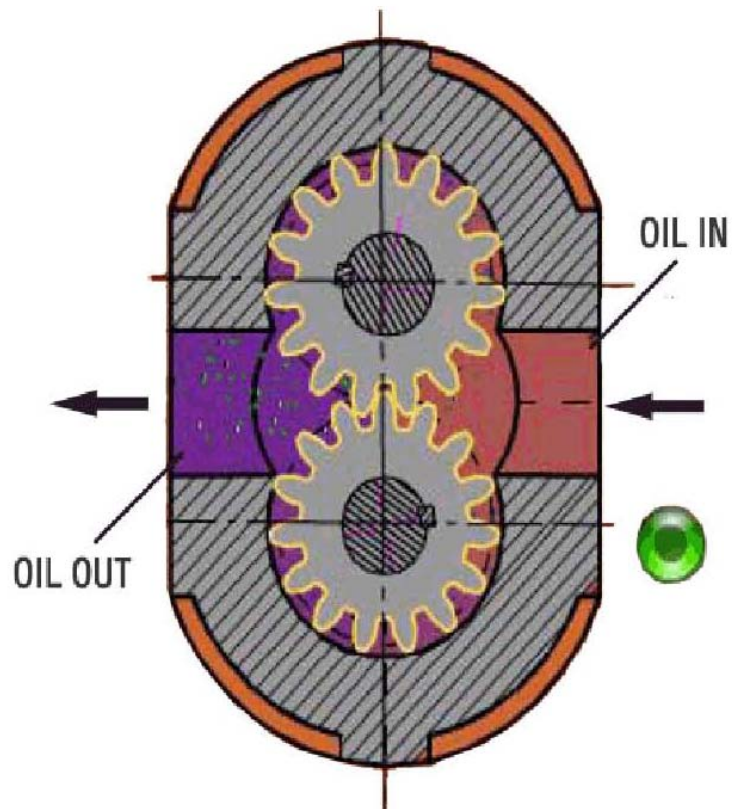
The KCB series oil gear pump designed to handle lubricative, without solids and fiber noncorrosive liquid with temperature under 80°C and viscosity from $5 \times 10^{-6} \sim 1.5 \times 10^{-3} \text{ m}^2/\text{s}$ (5-1500cSt). The pump can be used as booster pump in oil transfer system. In fuel system, it can be used as fuel pump to transfer, pressurize, or spray liquid. In addition, the pump can also be used as lubricant pump in other various industries .

Features :

This gear pump comes with following features:

- ✓ Gear, shaft, pump body, safety valve, and seal.
 - After heat treatment, the gear part has a high intensity and rigidity. It is coupled with the shaft in a renewable shaft sleeve, therefore, the lubrication of all pump part work automatically.
- ✓ The pump is coupled with a safety valve that serves as the pump overload protection.
- ✓ The material of pump body, steel gear, and oil seal are aluminum alloy by default.
 - The pump materials can be specified as cast iron or stainless steel.
 - The gear part can also be specified as copper, or stainless steel.

Working Principle :

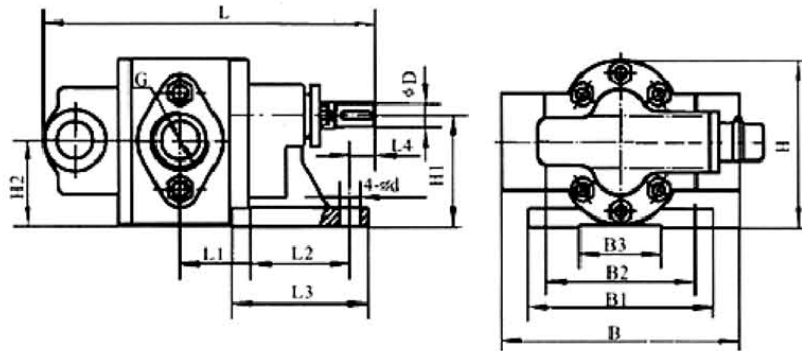


Specifications :

Model	Capacity		Speed r/min	Pressure Bar	Size	Motor
	M3/h	L/min				Power KW
KCB-18.3	1.1	18.3	1450	14.5	3/4"	1.5
KCB-33.3	2	33.3	1450	14.5	3/4"	2.2
KCB-55	3.3	55	1450	3.3	1"	1.5
KCB-83.3	5	83.3	1450	3.3	1 1/2"	2.2
KCB-133.3	8	133.3	1000	3.3	2"	4
KCB-200	12	200	1450	3.3	2"	4
KCB-200	12	200	1450	6.0	2"	5.5
KCB-300	18	300	1000	3.6	3"	5.5
KCB-483.3	29	483.3	1450	3.6	3"	11
KCB-633	38	633	1000	2.8	4"	11
KCB-960	58	960	1450	2.8	4"	18.5
KCB-2000	120	2000	750	3.0	6"	30
KCB-2500	150	2500	750	3.0	6"	37

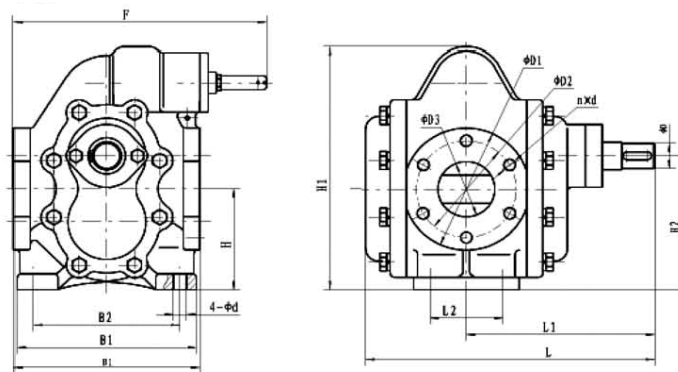
Figures and Mounting Dimension:

1. KCB 18.3-83.3



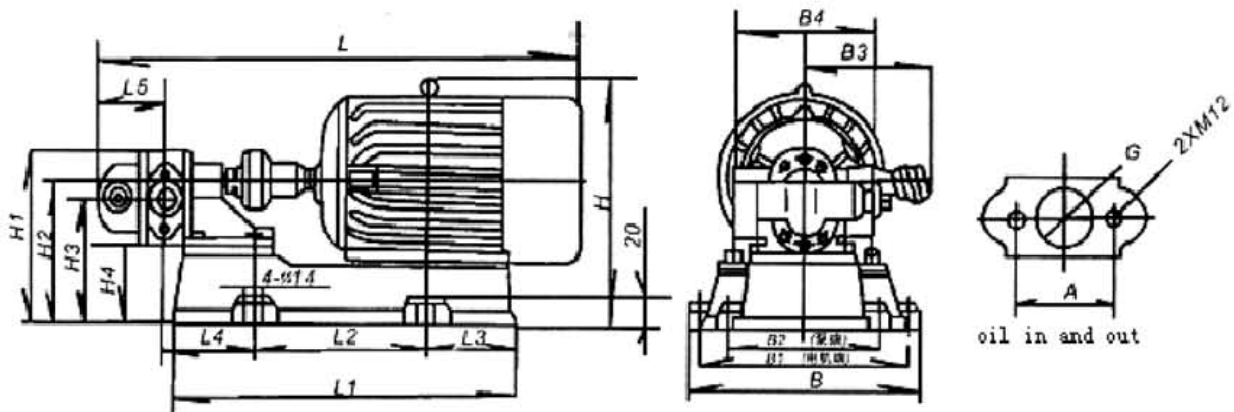
Model	L	L1	L2	L3	L4	B	B1	B2	B3	H	H1	H2	Ø D	G	4-Ø d
KCB18.3	217.5	35	80	115	16	192	150	120	66	136	90	69	20	G3/4"	16
KCB-33.3	231	42.5	80	115	16	192	150	120	66	136	90	69	20	G3/4"	16
KCB-55	246	50	80	115	16	192	150	120	66	136	90	69	20	G1"	16
KCB-83.3	271	62	80	115	16	192	150	120	66	136	90	69	20	G1 3/4"	16

2. KCB 200 ~ 960



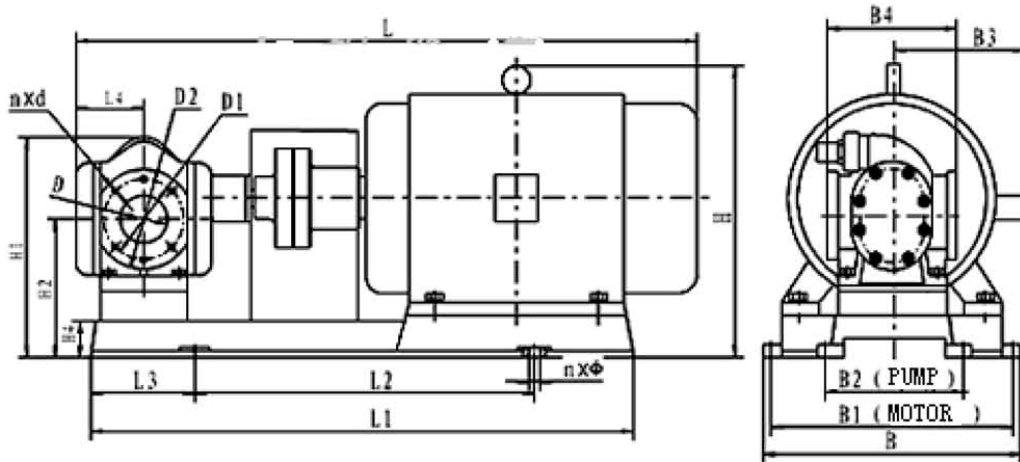
Model	L	L1	L2	B1	B2	H	H1	H2	F	Ø D1	Ø D2	Ø D3	n x d	Ø D	4 - Ø d
KCB-200	290	200	66	214	160	263.5	118	152.5	300	140	10	50	4-M12	28	13
KCB-300	354	230	90	225	180	308	128	170	318	155	23	70	6-M14	32	16
KCB-483.3	354	230	90	225	180	308	128	170	318	155	123	70	6-M14	32	16
KCB-633	415	270	120	280	175	385	188	205	380	190	158	100	8-M14	38	18
KCB-960	415	270	120	280	175	385	188	205	380	190	158	100	8-M14	38	18

1. KCB 18.3 – KCB 83.3



Model	L	L1	L2	L3	L4	L5	H	H1	H2	H3	H4	B	B1	B2	B3	B4	A	G	Weight (kg)
KCB-18.3	566	391	239	86	75	86	230	176	130	109	40	259	225	190	155	192	52	G3/4"	62.15
KCB-33.3	618	416	256	86	82	93	285	186	140	119	50	279	245	190	180	192	52	G3/4"	66.8
KCB-55	595	391	239	86	89.5	100.5	230	176	130	109	40	259	225	190	155	192	70	G1"	64.15
KCB-83.3	652	416	256	94	102	113	285	186	140	119	50	279	245	190	180	192	78	G1 1/2"	70.15

2.KCB 200 – KCB 960



Model	L	L1	L2	L3	L4	n x Ø	H	H1	H2	H3	H4	B	B1	B2	B3	B4	D	D1	D2	n x n	WEIGHT (kg)
KCB-200	709	577	419	58	90	4xØ16	355	314	168	202	50	326	290	240	190	214	Ø50	Ø110	Ø140	4xM12	135
KCB-300	883	715	502	80	124	4xØ22	423	378	198	240	70	390	340	280	210	228	Ø70	Ø123	Ø155	6xM14	173
KCB-483.3	972	795	565	890	124	4xØ22	465	378	198	240	70	450	400	290	255	228	Ø70	Ø123	Ø155	6xM14	213
KCB-633	1074	901	629	100	145	4xØ22	500	455	258	275	70	450	400	285	255	280	Ø100	Ø158	Ø190	8xM14	274.5
KCB-960	1099	900	635	100	145	4xØ22	525	455	283	275	70	470	420	285	285	280	Ø100	Ø158	Ø190	8xM14	304.5



Pump Systems Flux & Speck Company Limited
181/4 Soi Anamai, Srinakarin Road, Suanluang,
Bangkok 10250, Thailand
Tel: +66 (0) 2 320 2567
Fax: +66 (0) 2 322 2486
Email: info@fluxspeck.com
Website: <http://www.fluxspeck.com>