


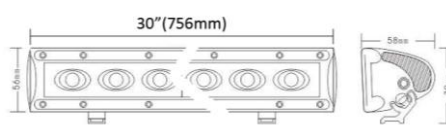
**SR Series: 10", 20", 30", 40" 9-32V Single Row LED Light Bars**



10" 30W





		
		
20" 60W	30" 90W	40" 120W


**Specifications**

Input Voltage: 9-32V DC Color Temperature: 6000-6500K Beam Pattern: Spot Beam(30°) Housing Material: Die-cast Aluminum Lens Material: PC Mounting Bracket: Zinc Alloy		<b>Model</b>	<b>Length</b>	<b>Power</b>	<b>LEDs(CREE)</b>	<b>AMP Draw</b>
		TLB1030	10"	30W	6x5W	2.4A@12V; 1.12A@24V
		TLB1060	20"	60W	12x5W	4.8A@12V; 2.24A@24V
		TLB1090	30"	90W	18x5W	7.2A@12V; 3.36A@24V
		TLB1120	40"	120W	24x5W	9.6A@12V; 4.48A@24V

**Advantages**

<ul style="list-style-type: none"> <li>● Deutsch DT 2 pin Connector;</li> <li>● The brackets can be mounted up-side down (180°);</li> <li>● The spacing of the brackets is adjustable.</li> <li>● No Glue at all, easy to disassemble.</li> <li>● Totally waterproof (IP67)!</li> </ul>	CREE inside!
---	--------------

**Applications** **Standards Compliance**

Agricultural	Material Handling	Specialty	Off-Highway	
Construction	Military	Trucks	Recreational	
Fire & Rescue	Forestry	Industrial	Utility	

At Totron, we specialize in the design & manufacture of HID & LED lighting products for Vehicular, Industrial, Architectural and Commercial applications. We provide a wide variety of products around the globe and cover a broad spectrum of applications.