

CASPI PRO®

CASPI PRO F.Z.C
Sharjah Free Zone, PO Box 42155, Sharjah, UAE
Tell : +971 6 7456680 / Fax : +971 6 7456690
Al Quoz Industrial Area, PO Box 390890, Dubai, UAE

Tell : +971 4 3233875 / Fax : +971 4 3233876



Registered Office
Sharjah F.Z.C U.A.E
P.O. Box 42155,
Tel: +9716.745.6680
Fax: +9716.745.6690
info@caspiro.com

KSA Sales Office
United Projects Co.
Riyadh, KSA
Tel: +966 1 476 76 76
Fax: +966 1 473 19 18
saudi@caspiro.com

Sales Office
Dubai, Al-Quoz, U.A.E
P.O. Box 390890,
Tel: +9714.323.3875
Fax: +9714.323.3876
sales@caspiro.com

Caspi Pro Electric Screens

Reliable/Durable Design Using for Class, Meeting Rooms



CASPI PRO®

Product features

- **White plated aluminum housing.**
- **Low Noise Factor With Tubular Motor.**
- **Two universal brackets included for ceiling or wall mounting.**
- **Multifunction Smart Remote Control.**
- **Input Power 220-240V/50-60Hz.**

Screen surfaces

- **Matte white screen surface on fabric base.**
- **Black coating prevents ambient light behind screen.**
- **Gain-factor 1:1**
- **Delivered with 4cm black border.**



Description	No	Code	Size (WxH)cm	Color	Format
<i>Matt White Electrical Projection Screens</i>	1	E 150	150X150	White Matt	1:1
	2	E 180	180X180	White Matt	1:1
	3	E 213	213X213	White Matt	1:1
	4	E 240	240x240	White Matt	1:1
	5	E 300	300x300	White Matt	1:1
	6	E 80"	160X120	White Matt	4:3
	7	E 100"	200X152	White Matt	4:3
	8	E 120"	240X180	White Matt	4:3
	9	E 150"	300x225	White Matt	4:3
	10	E 200"	400X300	White Matt	4:3

Innovating Audio / Video Experience

Caspi Pro Manual Screens

Attractive Style With Cheapest Solution For Schools



Product features:

- White plated aluminum housing.
- Suitable for wall or ceiling installation.
- Sliding bracket mechanism for flexible installation.
- Equipped with excellent roll in-out device.
- Self rewind mechanism.
- The screen position can be locked at every **13 cm**.

Screen surfaces:

- Screen material is fabric base.
- Black coating prevents ambient light behind screen.
- Delivered with **4cm** black border.



Description	No	Code	Size (WxH)cm	Color	Format
<i>Matt White Manual Projection Screens</i>	1	M 150	150X150	White Matt	1:1
	2	M 180	180X180	White Matt	1:1
	3	M 213	213X213	White Matt	1:1
	4	M 240	240X240	White Matt	1:1
	5	M 100"	200X152	White Matt	4:3
	6	M 120"	240X180	White Matt	4:3
	7	M 150"	300X225	White Matt	4:3
	8	M 300	300X300	White Matt	1:1

Innovating Audio / Video Experience

Caspi Pro Tripod Screens

Outstanding Values of Perfect Features in One Screen

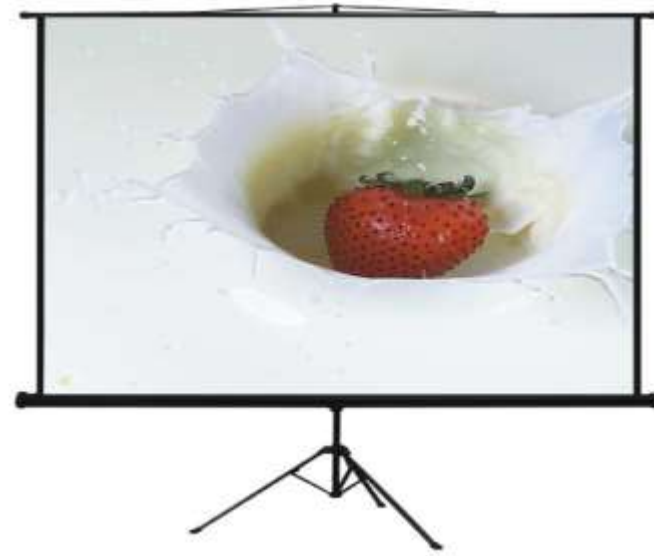


Product features:

- **Classic tripod screen for the projection View.**
- **White plated aluminum housing.**
- **360deg rotatable rigid nickel plated square table support.**
- **Black plastic handle design facilitates installation.**
- **Large fold-out bracket enables optimal tilt of the screen.**
- **Automatic locking of screen during transportation.**

Screen surface:

- **Matte white screen surface on fabric base.**
- **Black coating prevents ambient light behind the screen.**
- **Gain-factor 1:1.**
- **4cm Black Boarder.**



Description	No	Code	Size (WxH)cm	Color	Format
Matt White Tripod Projection Screens	1	T 150	150X150	White Matt	1:1
	2	T 180	180X180	White Matt	1:1
	3	T 213	213X213	White Matt	1:1
	4	T 240	240x240	White Matt	1:1

Innovating Audio / Video Experience

Caspi Pro Home Theater Screens

More Comfortable Wide Projection Screen With View Angle 100°



Product features:

- White plated aluminum housing.
- Suitable for wall or ceiling installation.
- Available Manual and Electrical Screens.
- Manual Screen with Self rewind mechanism.
- Position can be locked at every **13** cm.
- Electric Screen Equipped with Tubular Motor and RF Remote Control.

Screen surfaces:

- Screen material is Matt White fabric base.
- Black coating prevents ambient light behind Screen.
- Fabric Format **16:9/16:10**, gain:**1:1**, thickness:**0.45mm**.



Description	No	Code	Size (WxH)cm	Color	Format
<i>Home Theater Matt White Manual & Electrical Projection Screens</i>	1	MH 100"	222x125	White Matt	16:9
	2	MH 120"	266x150	White Matt	16:9
	3	EH 100"	222x125	White Matt	16:9
	4	EH 120"	266x150	White Matt	16:9
	5	EH 113"	243x152	White Matt	16:10

Innovating Audio / Video Experience

Caspi Pro Fast Folding Screens

Perfect For Use in GYM's, Events and Trade Shows



CASPI PRO[®]



Products Features:

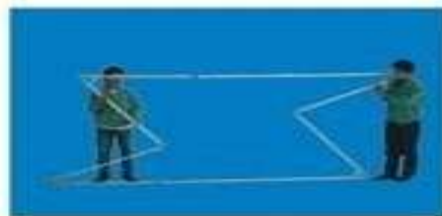
- ❖ Foldable aluminum frame work, lighter, easier, suitable for carrying and storage.
- ❖ This Screen installed without any tool Within 3Minutes.
- ❖ Using strong anti-dashed flight transportation packages, It can be pulled up/down with handle screws.

Screen Surfaces:

- ❖ Rear/ front Two Projection screens uses the PS fabric Made in Germany with clear life-like picture.
- ❖ Material is soft and flat, can be used and fielded repeatedly not easily to be distorted and despoiled.
- ❖ 4x3Mtrs. Screen Size Now Available.



Steps 1



Steps 2



Steps 3



Steps 4

Innovating Audio / Video Experience

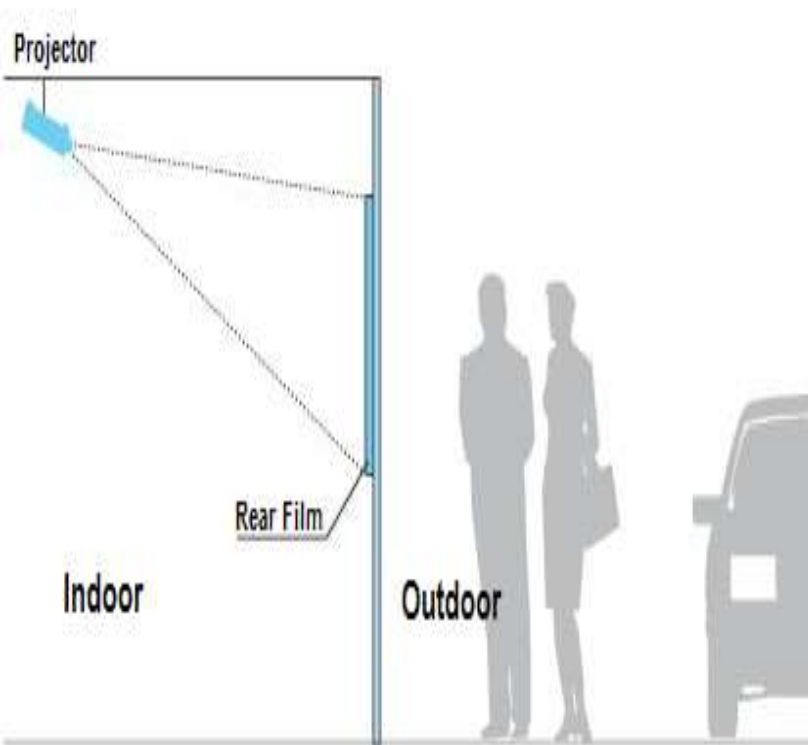
Trendy Commercial Marketing Application For Department Stores

Products Features:

- ❖ **Application: Automotive Exhibition, Wedding Photography, Banking, Sports, Department stores, Catering, Hotel Industry, Airports, Movie Theater, Advertising.**
- ❖ **Film Screen installed without any tool Within 10Minutes.**
- ❖ **Double-Sided Imaging, Does Not Destroy The Original Decoration**

Screen Surfaces:

- ❖ **Any Shape Can Be Customized Cut –Off To Fitted In Correct Place.**
- ❖ **Component: PET (75um Diffusion layer+ 30um Stalemate layer+ 0.105mm Thickness).**
- ❖ **Resolution: 50 Lines/MM, Contrast: 250:1**
- ❖ **Vertical/Horizontal View Angle: 90Degree.**
- ❖ **There is No Effecting by UV or IR**



Innovating Audio / Video Experience

Caspi Pro Wireless Laser Pointer

Smooth, Fashionable and the Lightest Pointer



CASPI PRO[®]



WR-19:

- ❖ *Wireless Laser Pointer With Page or Line Up/Down Functions.*
- ❖ *Power Point Screen Black.*
- ❖ *USB Plug and Play: No Installation Driver Requested*
- ❖ *Two AAA Size Batteries are Included.*
- ❖ *Built - In Flash Memory (Optional)*
- ❖ *Long Life, Healthy, Low power Design.*

Features:

- ❖ *RF Technology with Range More Than 20M.*
- ❖ *Red Laser Distance more Than 200M.*
- ❖ *Frequency Range 315 MHz*
- ❖ *OS Support: Windows / Mac / Linux.*
- ❖ *Millions ID Codes: No Multi-Users interferences.*

Innovating Audio / Video Experience

Caspi Pro Wireless Laser Presenter

Smooth, Fashionable and the Lightest Wireless Presenter



WR-28:

- ❖ *2.4MHz Wireless Multi Functions Laser Presenter.*
- ❖ *USB Plug to Play: No Installation Driver Requested*
- ❖ *Trackball Wireless mouse Work.*
- ❖ *Open Outlook Express /Close current window*
- ❖ *Go to desktop / Open My Computer*
- ❖ *Open Internet Explorer / Open Favorite*
- ❖ *Page Up / Zoom In*
- ❖ *Page Down / Zoom Out*
- ❖ *Two AAA Size Batteries are Included.*

Features:

- ❖ *RF Technology with Range More Than 10M.*
- ❖ *Red Laser Distance more Than 200M.*
- ❖ *OS Support: Windows / Mac / Linux*
- ❖ *Millions ID Codes: No Multi-Users interferences.*

Innovating Audio / Video Experience

Caspi Pro Projector Ceiling Mount Kit

Allen Key Easy Adjustable With Round Arm



CM 100

Drop: 0.49M ~ 0.95M

CM 200

Drop: 1.20M ~ 2M

- ❖ *Made of Refined Quality Aluminum Alloy Materials.*
- ❖ *Easy to Assemble, Upright or Opposite Installation of Long or Short Clutches.*
- ❖ *Adjustable Height for Desire Position of Projector.*
- ❖ *Suitable for Above 90% of Projectors in the Market.*
- ❖ *Max. 20Kg Load Capacity.*
- ❖ *Cable Management Included for Convenient and Safe in Wiring Work.*
- ❖ *In BLACK MATT Color Anti-Rusted Powder Coating.*

Innovating Audio / Video Experience

Caspi Pro Motorized Projector Lift S215

Easily Accommodates Multiple Control Option



S215 Technical Specification:

- ❖ Size **L530x W530x H260mm.**
- ❖ Net Weight **23 Kg.**
- ❖ Running Distance **1500mm.**
- ❖ Loading Capacity **15 Kg.**
- ❖ Universal Joints Spare Parts.
- ❖ Deco Chassis **500x500mm.**
- ❖ Voltage **220-240V/50-60Hz.**
- ❖ Consumption Power **40Watt.**

Features:

- ❖ Ultra-Thin Body Design, Suitable for Narrow Space Around the Ceiling.
- ❖ Big Running Distance, Quiet and Steady Operation.
- ❖ Easy and Reliable Operation with Wireless Remote Control.
- ❖ Thermal Throttling Protection.
- ❖ Low Noise: Noise within 50 decibels.

The Motorized Projector Lift S215 Assures a Pleasing Installation for Homes and Corporate Offices By its Exceptionally Smooth and Quiet Movement

Innovating Audio / Video Experience

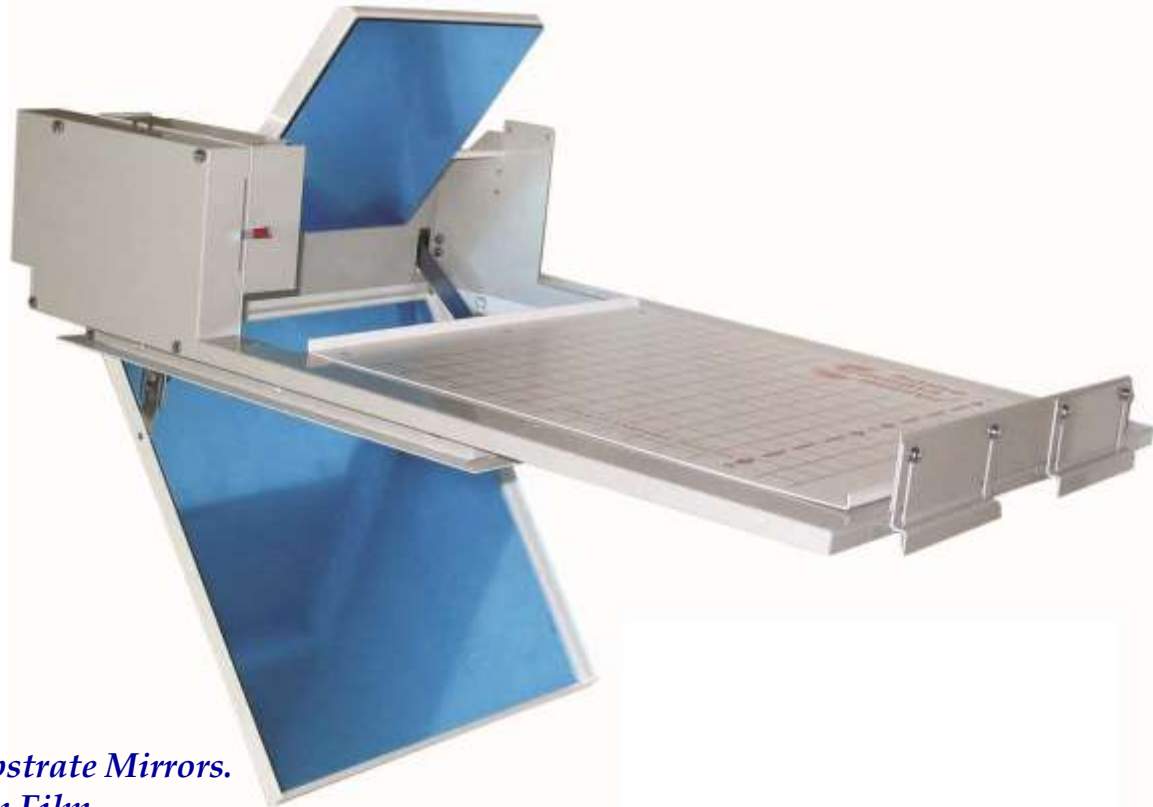


CASPI PRO[®]

Caspi Pro Mirror Projector Lift

Revelation Projector is solution to conceal the projection

*Concealing System for Projectors in the Ceiling **Made In Spain** and One of a Kind Worldwide System Ensuring the Aesthetic Design of the Room and the Quality of the Projections Thanks to the Set of Optical Reflection Mirrors.*



Features:

- ❖ *Variable Position Table.*
- ❖ *Position Control of Active Lens.*
- ❖ *Protective Casing of Electrical Equipment*
- ❖ *Protective Casing of Mechanical Equipment.*
- ❖ *Connection 230 VAC and ON/OFF Switch.*
- ❖ *Variable Height Adjustment Mount.*
- ❖ *Works With Two Vacuum-Made Argento Substrate Mirrors.*
- ❖ *Implanted on the Front Face With a 0.005 mm Film.*
- ❖ *Reflection 94% Over a Wave Length of 500 nm.*
- ❖ *Chassis Reinforced by Three Girders Which Give Strength and Reduce the Weight of the Structure.*

Innovating Audio / Video Experience

Caspi Pro Short Throw Projector Bracket

Solution Bracket For Interactive White Boards



CM800

CM 800

- ❖ *Universal Short Throw Projectors Interface.*
- ❖ *Arm Length 850-1400mm*
- ❖ *Maximum Load 15Kg/33Lbs*
- ❖ *Fully Adjustable.*
- ❖ *Fine Tune Mechanism.*
- ❖ *Strong & Sturdy Construction.*
- ❖ *Convenient and Safe in Wiring.*
- ❖ *In BLACK MATT Color Anti-Rusted Powder Coating.*



CM500

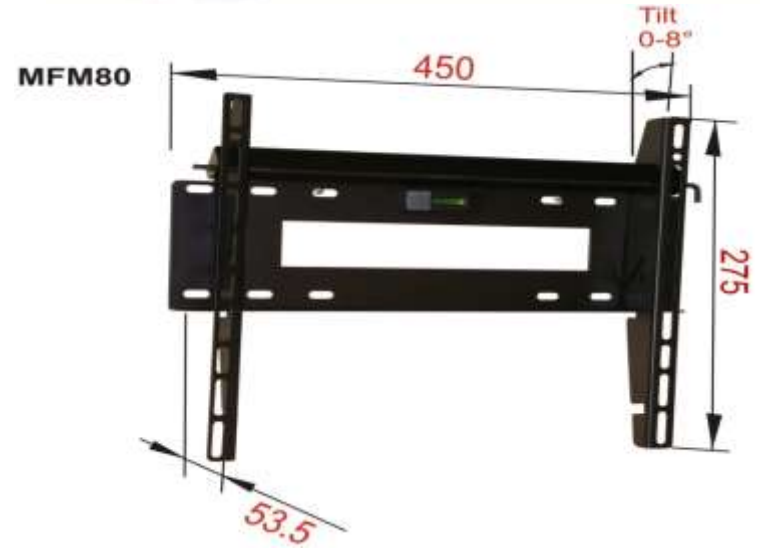
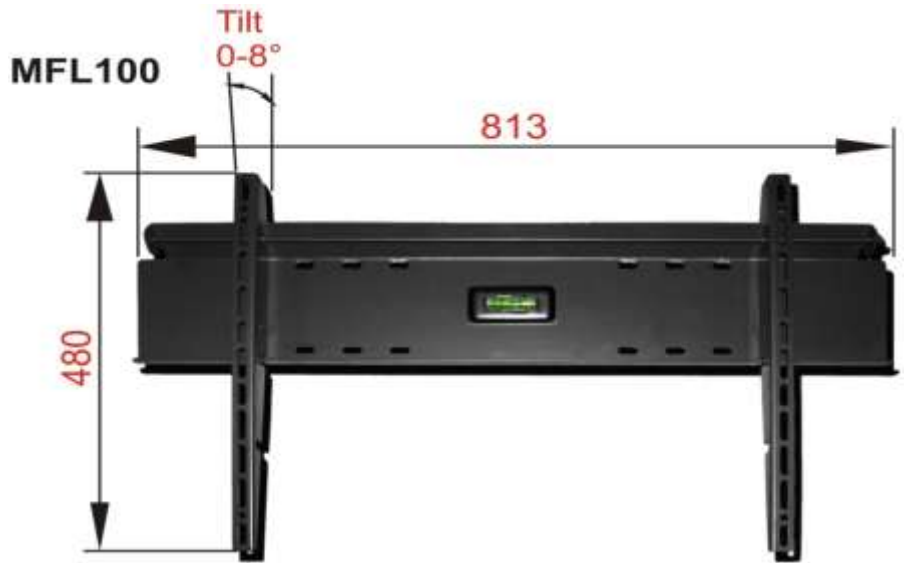
CM 500

- ❖ *Universal Short Throw Projectors Interface.*
- ❖ *Arm Length 550-900mm*
- ❖ *Maximum Load 15Kg/33Lbs*
- ❖ *Fully Adjustable*
- ❖ *Fine Tune Mechanism.*
- ❖ *Strong & Sturdy Construction.*
- ❖ *Convenient and Safe in Wiring.*
- ❖ *In BLACK MATT Color Anti-Rusted Powder Coating.*

Innovating Audio / Video Experience

Caspi Pro LCD/Plasma Wall Bracket

Universal VESA Standard LCD/Plasma Wall Bracket



MFL 100

107-165 cm / 42" - 65"
max. 100 kg / 220 lbs
Distance to Wall: 5cm
8 degrees Tilt
With Water Level
Black Matt Color
Security Lock

MFM 90

66 - 107 cm / 30" - 42"
max. 80 kg / 176 lbs
Distance to Wall: 3cm
8 degrees Tilt
With Water Level
Black Matt Color
Security Lock

MFM 80

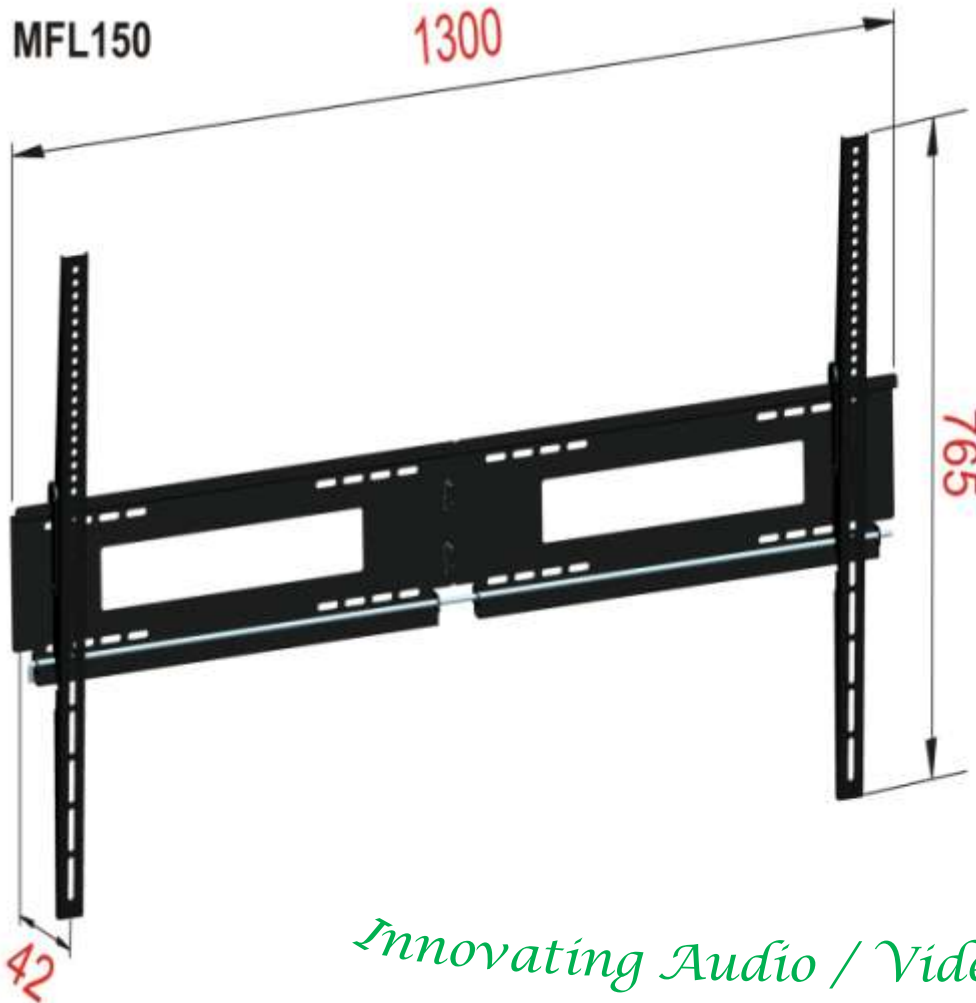
35 - 81 cm / 14" - 32"
max. 60 kg / 132 lbs
Distance to Wall: 3cm
8 degrees Tilt
With Water Level
Black Matt Color
Security Lock

Innovating Audio / Video Experience

Caspi Pro LCD/Plasma Wall Bracket



Universal X-Large VESA Standard LCD/Plasma Wall Bracket



MFL 150

140-181 cm / 55" - 71"

Max. 150 kg / 330 lbs

Distance to Wall: 3.70cm

5 degrees Tilt

Black Matt Color

Anti-Rusted Powder Coating

Security Lock

Innovating Audio / Video Experience



Caspi Pro LED Wall Bracket

Universal VESA Standard LED Wall Bracket



LED 100

- ❖ **Screen Size: 37" - 60"**
- ❖ **Loading: Max. 80 kg / 176 lbs**
- ❖ **VESA 700 x 500 mm**
- ❖ **Distance to Wall: 1.40cm**
- ❖ **Tilted: 8 degrees.**
- ❖ **BLACK MATT Color**
- ❖ **Anti-Rusted Powder Coating**
- ❖ **Security Lock With Water Level**

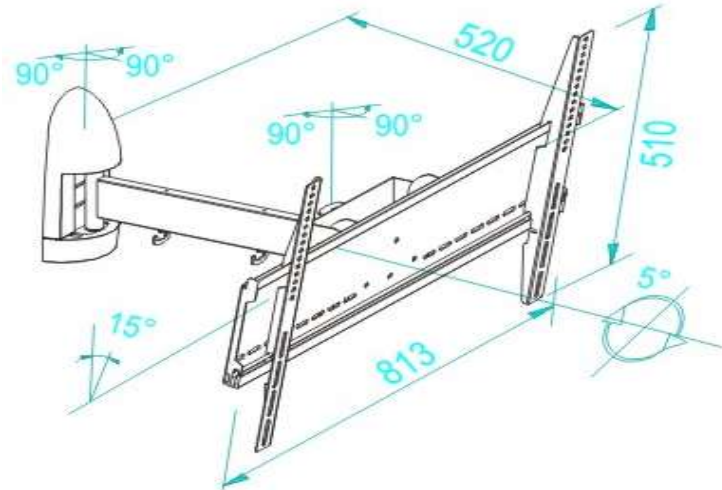


Innovating Audio / Video Experience

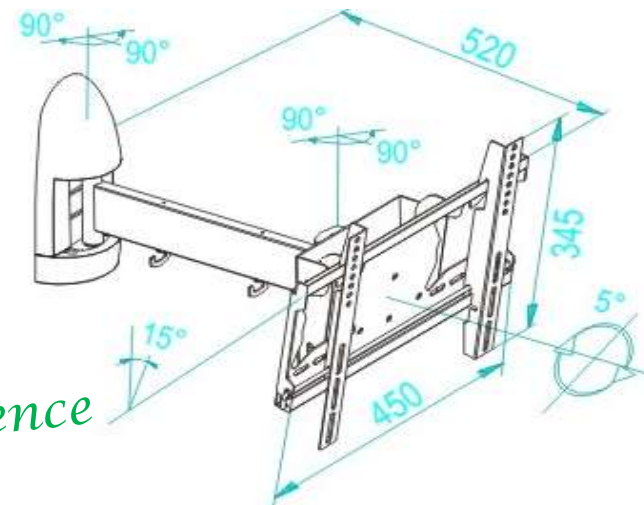
Caspi Pro LCD/Plasma One Arm Wall Bracket
Universal LCD/Plasma 26"-60" Swivel Wall Brackets Solution



PL60022A
76-155 cm / 30" - 60"
max. 75 kg / 166 lbs
90 degrees Swiveling
15 degrees Tilt
Metal Matt Black Color



PL40022A
66 - 107 cm / 26" - 42"
max. 45 kg / 100 lbs
90 degrees Swiveling
15 degrees Tilt
Metal Matt Black Color



Innovating Audio / Video Experience

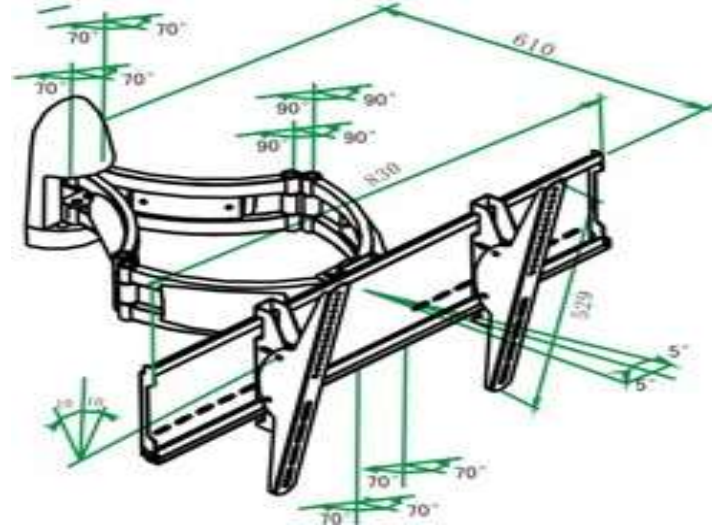
Caspi Pro LCD/Plasma Two Arm Wall Bracket



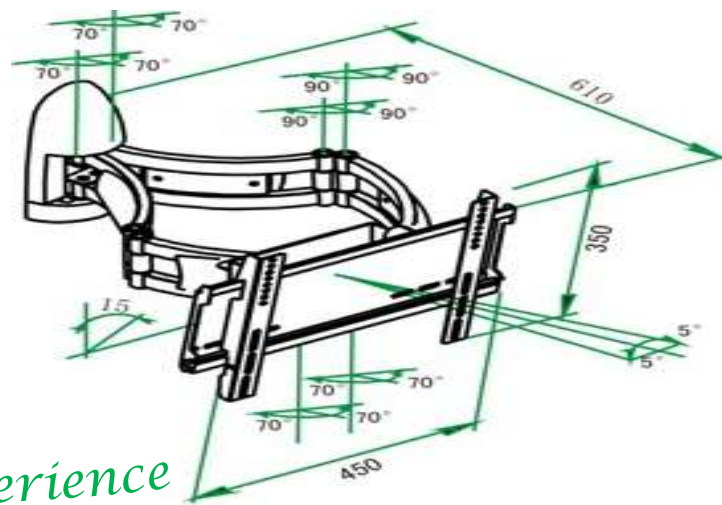
Universal LCD/Plasma 26"-60" Swivel Wall Brackets Solution



PL600343
76-155 cm / 30" - 60"
max. 75 kg / 166 lbs
90 degrees Swiveling
15 degrees Tilt
Metal Matt Black Color



PL400243
66 - 107 cm / 26" - 42"
max. 45 kg / 100 lbs
90 degrees Swiveling
15 degrees Tilt
Metal Matt Black Color



Innovating Audio / Video Experience

Caspi Pro LCD/ Plasma Ceiling Bracket

TV Mat Metal Ceiling (1~1.65M) Drop Mount System Solution



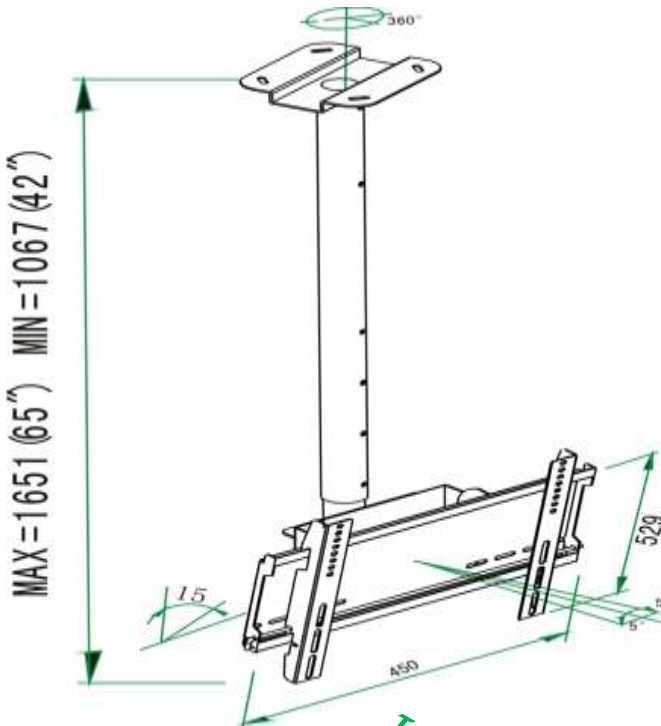
CASPI PRO®

PL60066 size: 30" - 60"

- **MATT BLACK** Anti-Rusted Powder Coating
- VESA Standard, Loading weight: **75 kgs**
- **Security Lock.**
- extension length: **min:1Mtr, max:1.65Mtr**
- Tilted **15Degree** And Swivel the **360 degree.**

PL40066 size: 26" - 42"

- **MATT BLACK** Anti-Rusted Powder Coating
- VESA Standard, Loading weight: **45 kgs**
- **Security Lock.**
- extension length: **min:1Mtr, max:1.65Mtr**
- Tilted **15Degree** And Swivel the **360 degree.**



Innovating Audio / Video Experience

Caspi Pro LCD/Plasma Ceiling Bracket

TV Mat Metal Ceiling (1~ 2.20M) Drop Mount System Solution



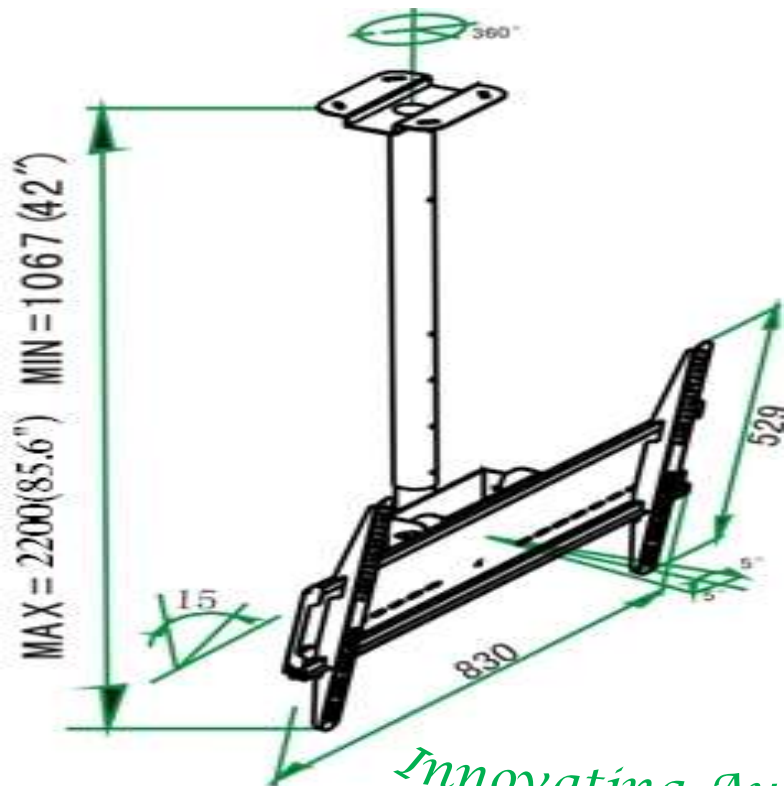
CASPI PRO[®]

PL60066A size: 30"-60"

- **MATT BLACK** Anti-Rusted Powder Coating
- **VESA Standard**, Loading weight: **75 kgs**
- **Security Lock**
- extension length: **min:1Mtr, max:2.20Mtr**
- Tilted **15Degree** And Swivel the **360** degree.

PL40066A size: 26"- 42"

- **MATT BLACK** Anti-Rusted Powder Coating
- **VESA Standard**, Loading weight: **45 kgs**
- **Security Lock**
- extension length: **min:1Mtr, max:2.20Mtr**
- Tilted **15Degree** And Swivel the **360** degree.



Innovating Audio / Video Experience

Caspi Pro DVD Wall Glass Stand



CASPI PRO[®]

Hot Moving Stand For Hotels Rooms And Restaurant



DVD11

- ❖ Heavy gauge **BLACK** glass plate
- ❖ Tempered glass Thickness : **4mm**
- ❖ DVD Carrying Size: **450x330mm**
- ❖ Compliant to Universal DVD Standard.
- ❖ Supports up to **10 Kgs/ 22 Lbs.**
- ❖ Installation Guide, Easy to install.
- ❖ Mounting hardware included.
- ❖ Rigid extruded Angle Supports.

Innovating Audio / Video Experience



Caspi Pro Plasma Movable Wheels Stand

Metal Movable TV Mate Floor Mount System



PL 40068

- ❖ **BLACK MATT Color Anti-Rusted Powder Coating.**
- ❖ **LCD Carrying Size: 30" - 60"**
- ❖ **Provided With One Wooden Shelf.**
- ❖ **Compliant to Universal VESA Standard**
- ❖ **Supports up to 75Kgs**
- ❖ **Installation Guide, Easy to Install**
- ❖ **Mounting Hardware Included**
- ❖ **Rigid Extruded Metal Construction**

Innovating Audio / Video Experience

Caspi Pro Server Racks Cabinets

Attractive Styling With a Rugged, Durable Structure



CASPI PRO®



Features @ Outstanding Values:

- ❖ Horizontal Shelves
- ❖ **19"** Vertical Mounting Angles(2mmThick)
- ❖ One Fan (separately packed)- High Quality Low Noise Fan.
- ❖ One Six way PDU with Flat Type Plug and **2meter** Cable With Base Plate to Fix it on the Mounting Angles
- ❖ Matt Black Finish With High Quality Paint.
- ❖ Front Tempered Glass Door With Lock
- ❖ Removable Side Panels (with an OPTION Putting a Lock on the Side Panels if Needed)
- ❖ Wheels Provided with Casters
- ❖ Manufactured in a State of the Art Plant Using CNC Machines, no Manual Tools

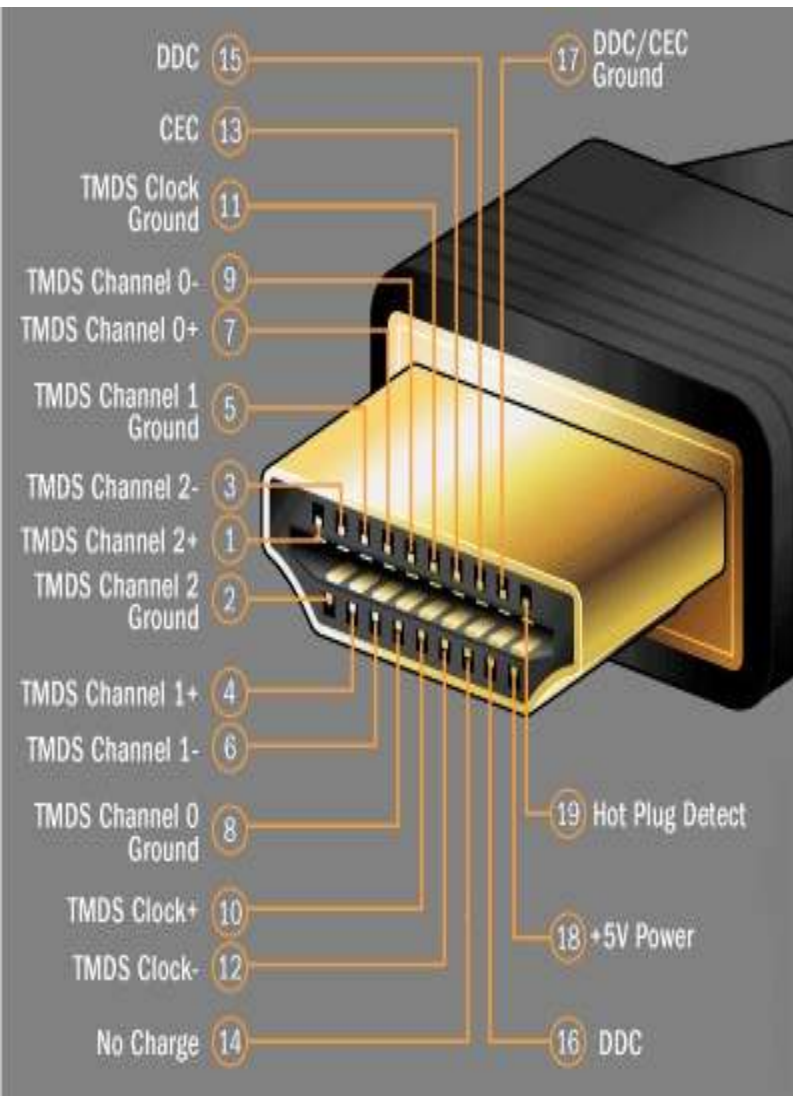
Innovating Audio / Video Experience

Caspi Pro – HDMI Cable



Enjoy Watching High Definition 3D Picture

**HDMI MALE TO HDMI MALE CABLE,
MADE AS PER AMERICAN WIRE
GUAGE(AWG), O.D 9.8mm WITH 2 FERRITE
CORES, GOLD PLATED CONNECTOR,
BLACK JACKETCOLOR.**



Sr No	Sizes Available	AWG
1	HDMI7- 7M	28AWG
2	HDMI15-15M	24AWG
3	HDMI20-20M	24AWG

Innovating Audio / Video Experience



Caspi Pro – SVGA Cable

Enjoy With Clearing Video Signal

**SUPER VGA MALE TO VGA MALE CABLE,
MADE AS PER AMERICAN WIRE
GUAGE(AWG) O.D 8.5mm WITH 2 FERRITE
CORES, WHITE COLOR, NICKEL
CONNECTOR**



Sr No	Sizes Available	AWG
1	SVGA5-5M	30AWG
2	SVGA10-10M	30AWG
3	SVGA15-15M	30AWG
4	SVGA20-20M	28AWG
5	SVGA30-30M	28AWG

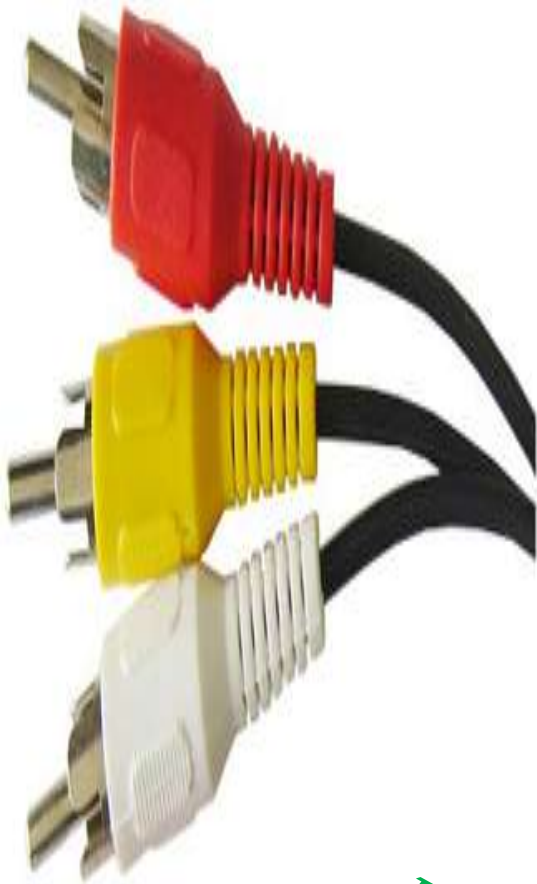
Innovating Audio / Video Experience



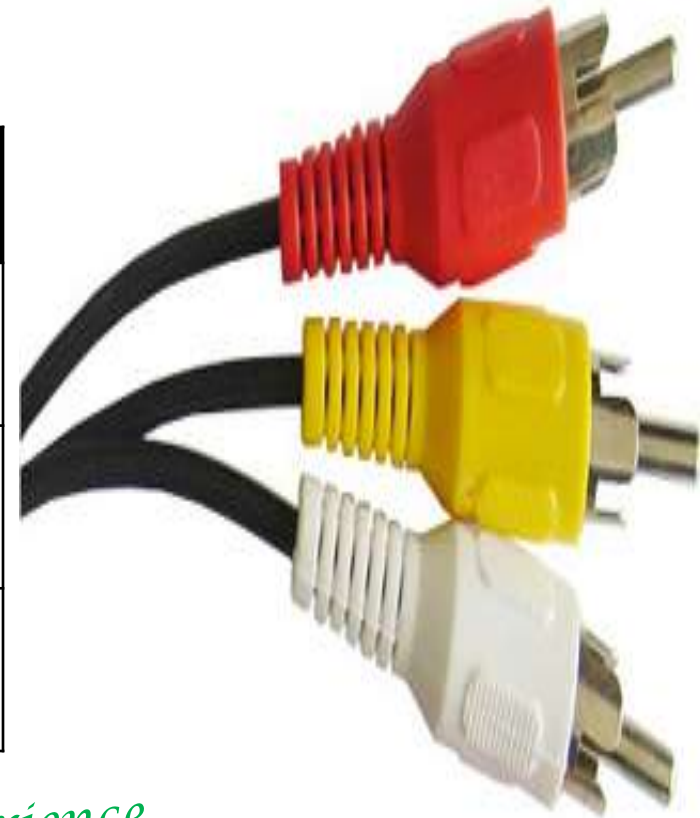
CASPI PRO®

Caspi Pro – AV Cable

- ❖- **3RCA plug to 3RCA plug.**
- ❖- **Color Red / Yellow / White.**
- ❖- **Moulding Nickel Terminate¹**
- ❖- **10*10*0.1mm Copper.**
- ❖ **OD:2.6*7.8mm.**



Sr No	Sizes Available	Type
1	AV10-10M	Male to Male
2	AV15-15M	Male to Male
3	AV20-20M	Male to Male



Innovating Audio / Video Experience

Caspi Pro – Speaker Cable



*SPK-48 Speaker Cable, Black/Red,
(2*48/0.20mm CCA), O.D.2.7*5.4mm
100M Pull color Box*

Color Covering Pull Box

Innovating Audio / Video Experience



Caspi Pro VGA Splitter

The Mini Type of VGA Splitter With Unique Case



VGA 104

- ❖ *Black Metal Case with Internal Transformer.*
- ❖ *Power Supply 220~240V/50~60Hz, Black Y001.*
- ❖ *UK 3Flat Pins plug.*
- ❖ *Input Con: 1Rd VGA 15HDF Con,*
- ❖ *Output Con: 4Rds, VGA 15HDF Con.*
- ❖ *RGB: Bandwidth 200MHz, Input Level: 0.5-1Vpp.*
- ❖ *Input Resistance: 75Ω, HV Channel.*
- ❖ *Input Level 0.7-5Vp-p.*
- ❖ *Transmission Distance: 65m-85m.*
- ❖ *Resolution: 1600*1200.*
- ❖ *Power: DC 9V/5W.*

Innovating Audio / Video Experience



CASPI PRO[®]

Caspi Pro Extenders

VGA and HDMI Extenders (Sender/Receiver)

Extend Your Vision Every Where You Like

VGA-100 VGA + Audio Extender (Sender/Receiver) 1M ~ 100M

- ❖ Resolution **1920 -1440**. Cable : **CAT5, CAT5E, CAT6, UTP.**
- ❖ Video Type **VGA, SVGA, XGA, SXGA, UXGA.**
- ❖ In/Output Con: **1Rd VGA 15HDB, RJ45, RCA.**
- ❖ Input Level: **1.7Vpp**. RGB: Bandwidth **350MHz.**
- ❖ Transmission Distance: **100M.**



HDMI-50S HDMI Extender (Sender/Receiver) 1M ~ 50M

- ❖ Resolution **1080P**. Cable : **CAT5, CAT5E, CAT6, CAT7, UTP.**
- ❖ Video Type: **24/50/ 60fs/ 1080p/ 1080i/ 720p/ 576p/ 576i/ 480p/ 480i**
- ❖ Output Con: **1Rd HDMI AWG26 HDMI 1.3b standard cable.**
- ❖ Input Level: **1.5Vpp**. Trans Bandwidth: **5.1Gbps.**
- ❖ Transmission Distance: **50M.**



Innovating Audio / Video Experience



CASPI PRO®

Caspi Pro HDMI Products

Turn Your Life to Vivid World and Get Enjoy

All Products 3D System Supported

VHD203

VGA+R/L to HDMI Convertor, HDMI Solution (1920x1080).

- ❖ Input Con: 1Rd VGA 15HDB, R/L Analog.
- ❖ Output Distance: 20M.
- ❖ AC Power Supply: 220~240V/50~60Hz, UK 3Flat Pins plug.
- ❖ DC Power Supply: DC 5V/1A.



HDS108-B

HDMI Splitter 1x8, HDMI Resolution (1080P/24 Hz)

- ❖ Input Con: 1Rd VGA HDMI 1.3B.
- ❖ Output Con: 8Rd VGA HDMI 1.3B. Bandwidth: 225MHz.
- ❖ AC Power Supply: 220~240V/50~60Hz, UK 3Flat Pins plug.
- ❖ DC Power Supply: DC 5V/1A.



501HSW-T

HDMI Switcher 5x1, HDMI Resolution (1080P/24 Hz)

- ❖ Input Con: 5Rd VGA HDMI 1.3B.
- ❖ Output Con: 1Rd VGA HDMI 1.3B. Bandwidth: 225MHz.
- ❖ AC Power Supply: 220~240V/50~60Hz, UK 3Flat Pins plug.
- ❖ DC Power Supply: DC 5V/1A.



Innovating Audio / Video Experience

Caspi Pro AV Wireless Transmitter/Receiver



CASPI PRO[®]

Wireless Transmission of Audio Video Signal From DVD, VCD, Satellite to Your Second TV

WTR-5000

5.8GHz
100 M

23 dBm

WTR-5000

- ❖ *Build-in World Wide 5.8GHz Wireless RF Module.*
- ❖ *8 Channels Available For Selection to Prevent Interfacing With Other Signals.*
- ❖ *Transmission Distance Exceeds 100Mtrs Without Barriers.*
- ❖ *Compatible With VCD, DVD, CCD Camera, Satellite Set-Top Box, HD Media Player and All AV Devices.*
- ❖ *Compatible With INTSC/PAL Video Format.*
- ❖ *RCA In/Out and Build-In IR Remote Extender.*
- ❖ *Power Adaptors, RCA Cable, Manual User's With Packaging By Color Box.*

Innovating Audio / Video Experience

Caspi Pro HDTV Wireless Adaptor



Wirelessly display PC and internet content on HDTV, flat TV, Monitor or Projector

HDMI -99



- ❖ Full room coverage up to **15Mtrs.** range.
- ❖ Notebook/PC to projector, flat TVs and IT Board.
- ❖ **kit could transmit 3D format signal.**
- ❖ **32-bit true color depth for high quality images.**
- ❖ TV: 1080p, 1080i, 720p, 576p, 480p
- ❖ PC: VGA(640x480), SVGA(800x600), XGA(1024x768).
- ❖ Operating Frequency: 5.1GHz to 5.9GHz
- ❖ Power Supply: AC In 100~240V/50~60Hz
DC Out 5V/2A Power Adapter
- ❖ Windows Vista/XP and MAC OS.
- ❖ Official Member of WHDI & CE, FCC , ROHAS.

Innovating Audio / Video Experience



CASPI PRO®

Caspi Pro I-Box Wi-Fi HDTV Media Player

Streaming Media's Plying (Movies, Music and Photos) From Your Home PC To HDTV Through LAN or Wireless Connection



I-BOX Z400W

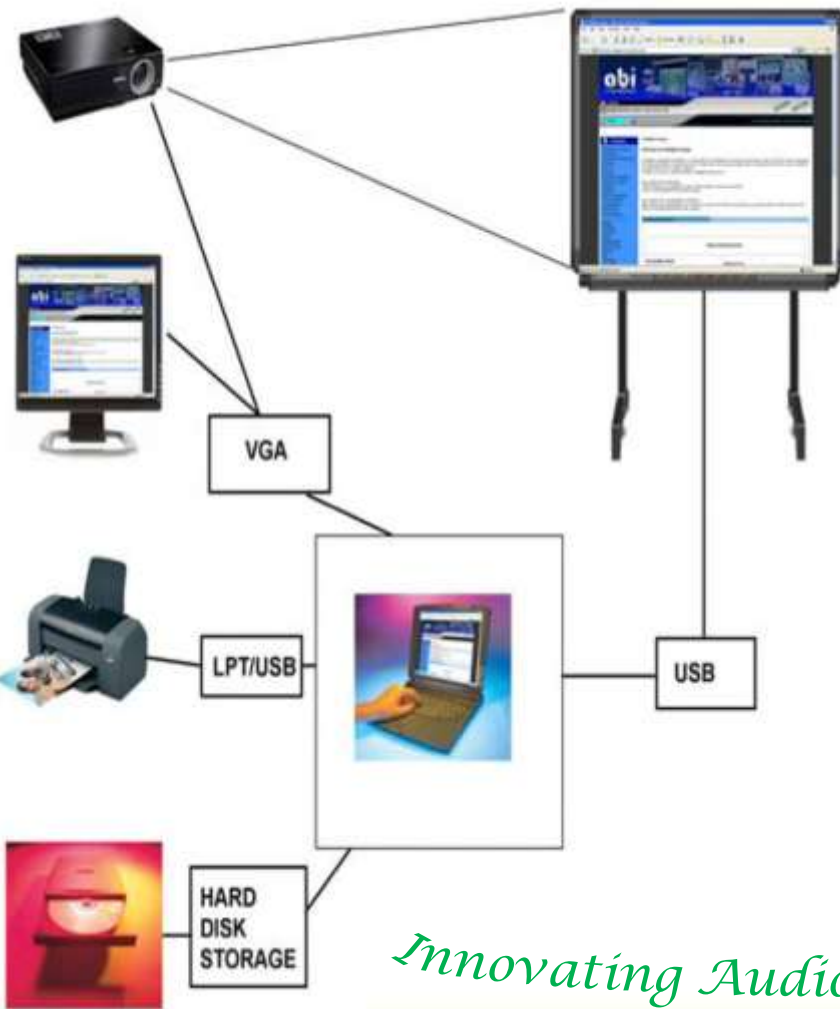
- ❖ Support 2.5" built-in SATA HDD playing.
- ❖ Support USB 2.0 devices playing.
- ❖ Support seamless playing without any intermission.
- ❖ Support BD(Blue-ray Disc)files auto playing in one folder.
- ❖ Support automatic searching with IGRS & UPNP devices.
- ❖ Support HD movies BT download, from any appointed website on the internet, as well as i-box website itself.
- ❖ Support all kinds of wireless transmission and wireless infrastructure dual working mod, WEP & WPA encryption.
- ❖ Support full high definition TV signal output 1080p/60Hz.
- ❖ Full compatible with Dolby True HD&DTS HD-MA format.
- ❖ Support all kinds of multimedia format, including MKV, VC-1 and H.264, as well as SD format RM/RMVB.
- ❖ Support all kinds of audio/video output.
- ❖ Multiple data port: 2*USB2.0 Host, 1*USB2.0 device.

Innovating Audio / Video Experience

Caspi Pro Interactive White Board



The Next Generation Pressure Sensing Interactive Whiteboard



Interactive Board:

- ❖ Convert or save into dozens of pic. And text formats.
- ❖ Support Windows 2000/XP/2003/Vista32.
- ❖ Power consumption: less than 1.5W.
- ❖ Writing and clicking sensing height: 240points/x, signal
- ❖ tracking speed: 3m/s.
- ❖ **Effective Resolution: 8000x8000, 200dpi.**
- ❖ **Effective pressure: >10g.**
- ❖ Connect PC through USB port, plug to play, external power is not required, the standard cable is 10m.
- ❖ Power supply: powered by USB.
- ❖ Moving bracket(optional), height from 1.85m~ 2.2m.
- ❖ Passed FCC, EC, and ISO 9001 certificates.

Innovating Audio / Video Experience