



Exclusive Quartz Kitchen Sink

Celebrate with Royal style



QUARTEX INDUSTRIES

Mfg : Exclusive Quartz Kitchen Sink

: Office :

Shop No.15,Opp.Nagarpalika
Railway Station Road
Near Bhadiya Kuva. Tal:Halvad
Dis :Surendranagar (Guj.) India
Cell: +91 9909994748
e-mail : info@quartexindustries.com
quartexindustries@gmail.com

: Factory :

Survey No.341. Juna devaliya
Maliya Highway,Tal.Halvad,
Dis : Surendranagar (Guj.)India
Ph. +91 02758-286044 / 444
Fax: +91 02758 286011
Cell: +919825338303
e-mail : quartex@quartexindustries.com
web : www.quartexindustries.com

+91 992506641



Celebrate with Royal style



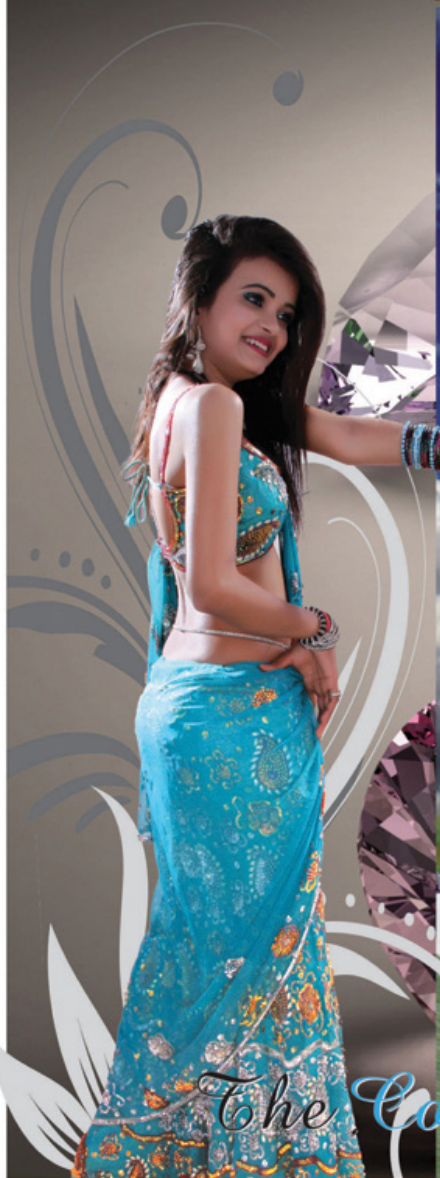


INTRODUCTION

Quartex Industries is a company involved in manufacture and supply of high quality Quartz Kitchen Sinks. The management of the company always wanted to introduce products that were market maker and competition breakers. These products are as exclusive and different as can be in their range.

VISION

Introduce and supply innovative and creative products that make living easy and stylish and there by attain a leadership status in the industry for the developed products.



The Company

We welcome to the world of the acrylic-quartz composite kitchen sink new range of composite materials for moulding products i.e kitchen sinks and to be started ideal & leading manufacturer of these products through innovation. At present we have focus on Indian market to satisfied customers in term of quality, cost and delivery through distributor network. We have decide to produced sinks with maintaining high quality standard considering kitchen application.

The possibilities offered by the latest developments in the materials sphere enabled to our R&D to achieve a quantum leap over conventional sinks in terms of quality, ease of care and protection against bacteria with the development of the premium material in 2012.



Exclusive Quartz Kitchen Sink





⚙️ **After all**, it is absolutely maintenance free, hence ensure the user 100 times value for their money. You can installed sink on any type of kitchen surfaces. You can use kitchen sink on daily basis with royal style.

⚙️ **The material is particularly easy to clean,**
Extremely easy to clean, safe for use with food-stuff considering product with antibac properties. This Food safe naturally antibacterial hygiene protection system developed by Quartex, inhibits around 90% of bacterial growth, which makes Stain resistant doing kitchen chores a more hygienic and care free experience
Heat and Shock-proof thanks to the very high quartz(SiO2) content. Quartex antibac is the first and so far the only antibacterial during any kind of Installation like flush mount, under-mount top-mount protection system for the kitchen sink.
The pore-less structure of product makes the material particularly fine, allowing for unprecedented ease of care and featuring made in India.

⚙️ **Dirt repellent effect.**
Dirt that could be a breeding ground for bacteria finds it impossible to stick to the material's surface. The dirt runs off. It can easily be removed with a damp cloth and a little washing up liquid. An added benefit of product is its rough & smooth finish, giving the material a delicate shimmer and a soft feel with maximum resistance to dirt and scratches. Around 75 to 80% of the material used in Quartex's product/sinks is quartz, the hardest constituent of composite, which is why they are also known as quartz sinks. The quartz is coupled with a high grade acrylic(homo-polymer) binder. It is this combination of acrylic and quartz that gives the sinks their durability.

Quartex hygiene concept making life more hygienic and care free during application. Antibac Sinks used to prepare food or wash dishes and utensil provide a breedingground for bacteria. Quartex Antibac is the first and so far the only antibacterial hygiene protection system for the kitchen sink application. The integrated, natural protection mechanism reduces bacterial growth by 90%. Dirt repellent effect The premium product material additionally repels dirt. An ultrafine compressed, pore-less structure makes it virtually impossible for bacteria and dirt to stick to thematerial's surface. It simply runs off and can easily be removed with a damp cloth and a little washing up liquid.

⚙️ **Advantages of Product Universalism**
Product can be used absolutely any where in the kitchen for the manufacture of product for kitchen or bathroom , bar , tables and much more ...

⚙️ **Scratch**
Only three natural stone "Diamond, Sapphire and Topaz" harder than Quartz. This makes product highly resistant to scratches. It is virtually impossible to scratch.

⚙️ **Crash worthiness**
Product has a high impact resistance, much higher than other branded materials used for the same purpose. This ensures the safety of the kitchen when using very heavy items like pots, utensil, trays etc. Durability is achieved by Quartz (Hardness) and Acrylic resin (Elasticity).

⚙️ **Natural beauty**
Product has the elegance and beauty only comparable with the most beautiful natural stones such as quartz and diamond. Product contains natural quartz(Silica/Sand) has excellent density and brilliance of a diamond. Something that is unique to natural stone.

⚙️ **Colour**
Product has more than 20 colours. It is very difficult not to find the right colour to what or style or texture. The colour scheme updated with development of new colours(as and when applicable).

⚙️ **Staining**
Product is non-porous material and there for it's 100% resistant to any kind of pollution. It will not go any stains from tea/coffee, or from soft drinks/wine or from lemon juice/branded juice, or of cooking oil, nor of any other products you would usually find in the kitchen(dilute house hold chemicals).

⚙️ **Quartex sustainability**
Quartex attaches high priority to the sustainability of its products. All Quartex sinks are made from long life, environmentally sound materials. The sinks are manufactured exclusively in India to extremely rigorous quality standards. Production complies with Indian environmental standards the most stringent in the world. Continuous investment and state-of-the-art resource saving technologies promote energy efficient manufacture, helping to preserve our environment for the future. Quartex attaches high priority to sustainability and environmental protection. Colour variations possible due to it is made from naturally occurring materials and printing constraints



ANTIQUE COLLECTION of

Exclusive Quartz Kitchen Sink

PHILOSOPHY

The company has a simple and beneficial philosophy of developing business around products that make daily living better and more stylish. The idea is to deliver solutions that will empower every household to make their daily working comfortable as well as affordable. The expansion of the company's businesses will be on the lines of making lives better for other people and result in the company's growth, producing a perfect WIN-WIN situation for Customers, Dealers and Retailers as well as the company.

Advantages of Product

The Product

This unique product designed and developed by the company has redefined the use of kitchen sink in terms of style and functionality. With these sinks the company promises a positive mix of performance of the product, low maintenance, and excellent style accompanied by availability in a number of sizes and shapes and ensured by long term endurance

Wel Come To



New Range of Composite Materials (MATERIAL)

Hygiene with an exquisite sheen composite product is Quartex's premium grade material. The material is specially developed for the demands of kitchen application. The rigours of everyday use vanish from product,

Dirt repellent effect sinks without a trace house hold chemicals, coffee and heavy utensil leave Naturally antibacterial no marks what so ever.

- It is "HOMOGENEOUS" materials matrix !
- No gel Coating !
- No sandwich Layer!
- Colour range options to match your kitchen/interior
- we can develop the new colour shade and make it for you !
- Need not required any type of polish, varnish or paint!
- Top mount / under mount installation possible !
- Smart joineries with kitchen top surface !
- Metallic, Dotted as well as glossy finish, based on product selection !
- Beautiful moulded product !
- House hold chemicals resistant
- 100% Waterproof !
- Very good temperature resistance (tested with 350 °C hot oil pot) !
- Excellent scratch resistance. And in case of any scratches, blessed with the opportunity for removing by house hold detergent/cleansing agent !
- Anti-ageing !
- Fire retardant as quartz as a filler.
- 9mm (+/- 1mm) standard application thickness.
- Available in standard size.
- Custom sizes may be develop.



Exclusive Quartz Kitchen Sink



Advance



Available Colour



Metalic



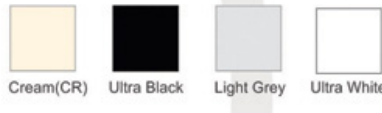
Available Colour



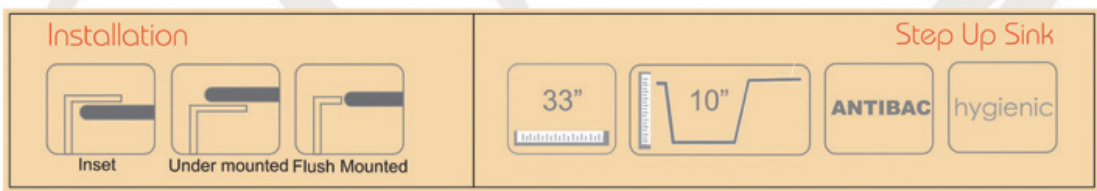
Classic



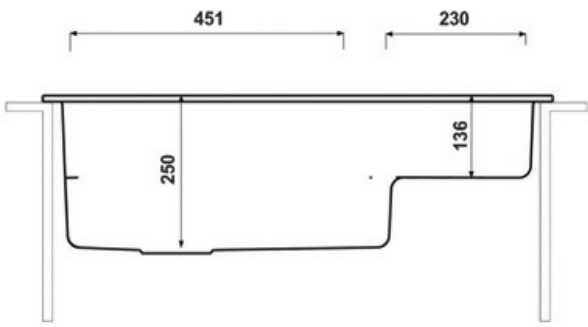
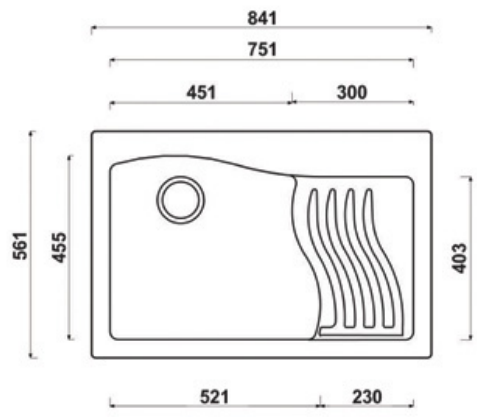
Available Colour



Step Up Sink
size
33" x 22" x 10"



Architecture Plan



Step Up Sink
A great utility based offering from the house of Quartex is the step up sink. Extremely user friendly, with a deep sink and a raised step for fast washing of soiled utensils and kitchenware. An ideal design for modern homes is offered again with lot of choices in terms of colors and finishes.

Page
07
08





Exclusive Quartz Kitchen Sink



Advance



Available Colour



Metalic



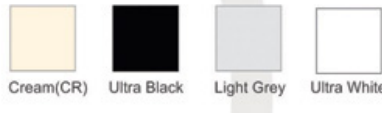
Available Colour



Classic



Available Colour



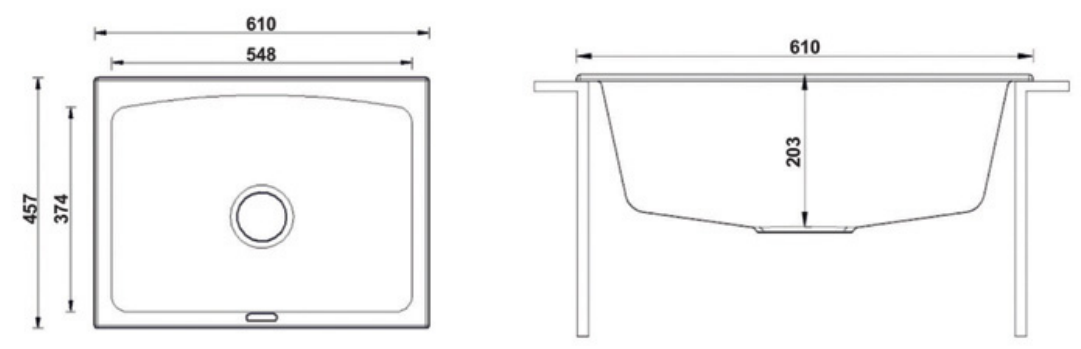
Single Bowl - QI-001

size
24" x 18" x 8"

Installation: Inset, Under mounted, Flush Mounted

Single Bowl - QI001: 24" x 18" x 8", ANTIBAC, hygienic

Architecture Plan



Single Bowl - QI-001

The Single Bowl design is the traditional offering from Quartex. It is smartly designed combining nostalgic look of the past era with the functionality of modern needs in a kitchen. Designed to accommodate itself in smaller spaces and yet deliver performance. Available in three finishes and a number of colors, the product is ideal for compact kitchens.

Pag. 09 10





Advance



Metalic

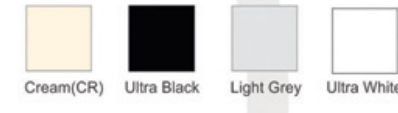


Classic



Available Colour

Available Colour



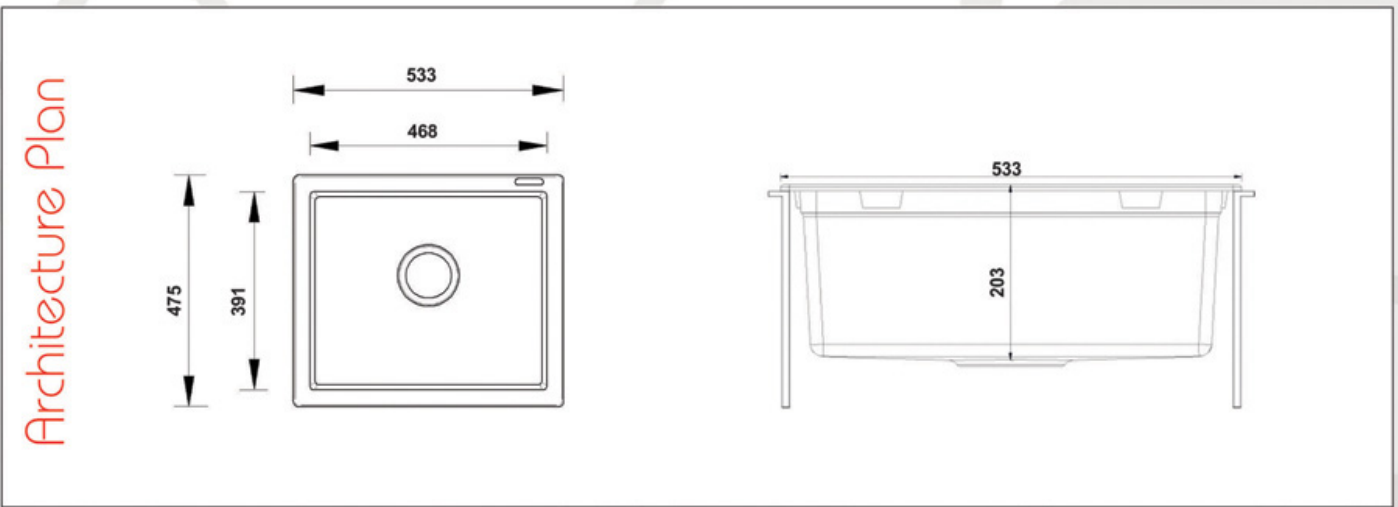
Single Bowl - QI-003

size
21" x 18" x 08"

Installation

Single Bowl - QI003

21" 08" ANTIBAC hygienic



Single Bowl - QI-003

The Single Bowl design that is a variant of the other two single bowls has the same functionality and utility value. The three single bowl designs have minor size variations and shape changes to accommodate kitchen design. It also gives the buyer some more choices.

Page
11
12





Exclusive Quartz Kitchen Sink



Single Bowl - QI-002

The squarish Single Bowl sink designed specifically for compact kitchen which expects more items for washing. Its beauty lies in its square shape that differentiates it and matches any architects choice of alignment and patterns. It is a great quartex product that amplifies the look of the kitchen.

Page
13
14



Advance



Metalic

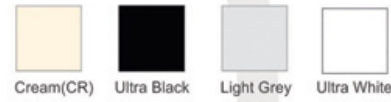


Classic



Available Colour

Available Colour



Single Bowl - QI-002

size

22" x 20" x 08"

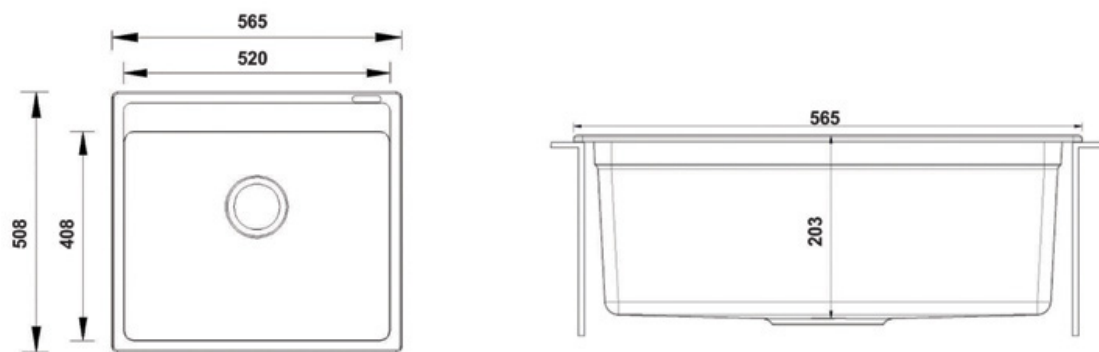
Installation



Single Bowl - QI002



Architecture Plan





Exclusive Quartz Kitchen Sink



Single Bowl With Drainer

The Single Bowl with drainer is for homes with lot of occupants. As a kitchen owners delight, the sink permits lot of kitchenware to be washed and rinsed with ease and speed as well. It is suitable for mid size kitchen and recommended of restaurants and small eateries. Quartex offers it in wide range of colors and finishes

Page
15
16



Advance



Metalic

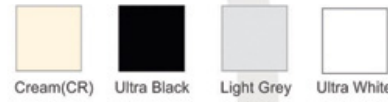


Classic



Available Colour

Available Colour



Single Bowl With Drainer

size

34" x 17" x 08"

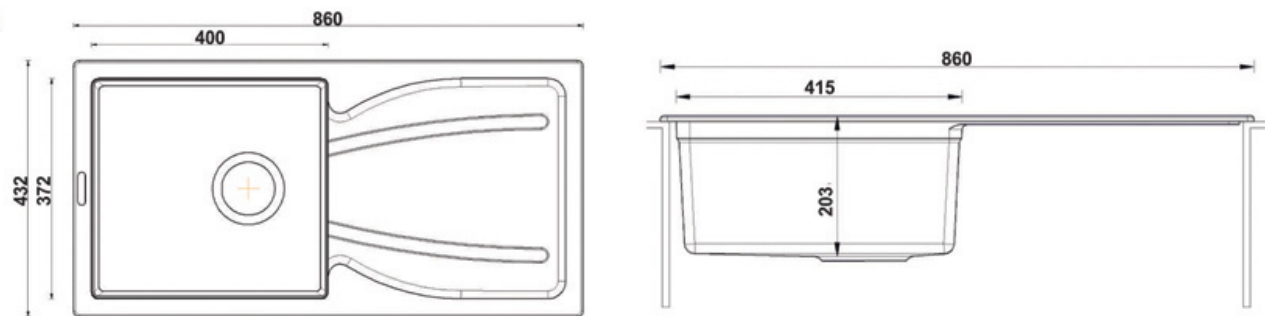
Installation



Single Bowl with Drainer



Architecture Plan



Page 15 16



Accessories

No style is complete without the right accessories. Quartex has designed and developed a range of smart accessories and add-ons for your kitchen sinks. The drain plugs and faucets are available in a number of choices to match your basic kitchen concept. Go ahead and enjoy washing in your kitchens.



QI-101



QI-102



QI-103



QI-104



QI-105



QI-106



QI-107



QI-108



QI-109



QI-110



QI-111



QI-112



QI-113



QI-114



QI-115



QI-116



QI-117



QI-118



QI-119



QI-120



QI-121



QI-122



QI-123



QI-124



QI-125



QI-126



QI-127



QI-128



QI-129



QI-201

QI-202

